

REV/版本	DESCRIPTION/变更内容	DATE/日期	DRAWN BY/绘图

1) Product main performance/产品主要性能指标:

Operating Temperature/工作温度 : -55℃~200℃
 Humidity(max)/最大潮湿 : <=95% [at 60 deg C / 140 F]
 Shielding /屏蔽性能 : 75dB(10MHz) 40dB(1GHz)
 Salt Spray Corrosion/盐雾 : 96hr
 P op (max)/最大环境压力 : 60 bar (870 psi)

Mechanical data/机械特性:

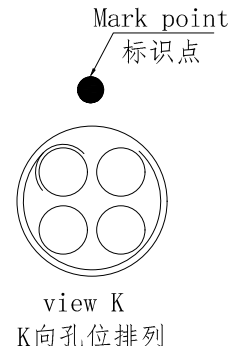
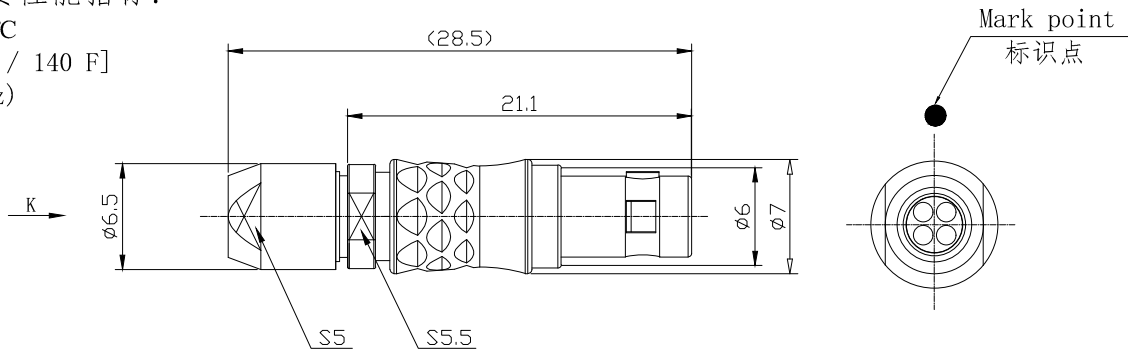
Vibration/振动 : 15g[10Hz~2000Hz]
 Shock Resistance/冲击 : 100g[6ms]
 Endurance (Shell)/机械寿命 : 5000次
 Cable/配接电缆: $\phi 1.4\text{mm}-\phi 2.3\text{mm}$

2. 电气性能


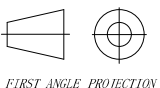
Insert Configuration/针芯配置: 00B.304 4Low Voltage
 Pin Size/接触件直径: $\phi 0.5\text{mm}$
 Contact resistance接触电阻: $\leq 15\text{m}\Omega$
 Insulation resistance/绝缘电阻: $5000\text{M}\Omega$ (测试电压500V(DC))
 Withstand voltage/耐电压: 800V(AC)
 Rated working current额定工作电流: 2.0A

Other Specification/其它规格:

Contact PIN/接触体: Gold plated Tin bronze/锡青铜镀金
 Housing Material/外壳材质: Chrome plated brass/铜镀珍珠铬
 Other metal spare parts/其余金属件: Nickel plated brass/铜镀镍
 Insulator material/绝缘材料: PPS
 IP Rating/防护等级: IP50
 *ALL MATERIALS ARE RoHS COMPLIANT/所有材料均符合RoHS要求.



DRAWN BY: 绘图: PD03 2024.05.28 CHECKED BY: 审核: Z01 2024.05.28 APPROVED BY: 核准: PD05 2024.05.28
GENERAL TOLERANCE (UNLESS SPECIFIED) $\leq 10 \pm 0.1$ $< 10 \sim \leq 20 \pm 0.15$ $< 20 \sim \leq 50 \pm 0.3$ AngIe $\pm 1^\circ$

 美易连电子科技(深圳)有限公司 Meiyilian electronic technology(shenzhen)Co.,Ltd.									
 FIRST ANGLE PROJECTION	<table border="1"> <tr> <td>单位 UNTY: mm</td> <td rowspan="2">名称 PART NAME</td> <td rowspan="2">00B-TG直式插头(不带护套式尾帽) 00B-TG Straight plug (without jacketed tail cap)</td> </tr> <tr> <td>比例 SCALE: 1: 1</td> </tr> <tr> <td>SIZE: A4</td> <td rowspan="2">型号 PART NAME</td> <td rowspan="2">TGG. 00B. 304. CLAD25</td> </tr> <tr> <td>REV/版本 A1</td> </tr> </table>	单位 UNTY: mm	名称 PART NAME	00B-TG直式插头(不带护套式尾帽) 00B-TG Straight plug (without jacketed tail cap)	比例 SCALE: 1: 1	SIZE: A4	型号 PART NAME	TGG. 00B. 304. CLAD25	REV/版本 A1
单位 UNTY: mm	名称 PART NAME	00B-TG直式插头(不带护套式尾帽) 00B-TG Straight plug (without jacketed tail cap)							
比例 SCALE: 1: 1									
SIZE: A4	型号 PART NAME	TGG. 00B. 304. CLAD25							
REV/版本 A1									
SHEET: 1 OF 1									