

1) Product main performance/产品主要性能指标:

Operating Temperature/工作温度 : -55℃~200℃  
 Humidity(max)/最大潮湿 : <=95% [at 60 deg C / 140 F]  
 Shielding /屏蔽性能 : 75dB(10MHz) 40dB(1GHz)  
 Salt Spray Corrosion/盐雾 : 96hr  
 P op (max)/最大环境压力 : 60 bar (870 psi)

Mechanical data/机械特性:

Vibration/振动 : 15g[10Hz~2000Hz]  
 Shock Resistance/冲击 : 100g[6ms]  
 Endurance (Shell)/机械寿命 : 5000次  
 Cable/配接电缆: Ø8.1mm-Ø9.0mm

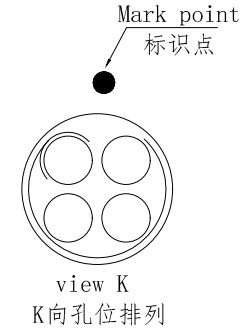
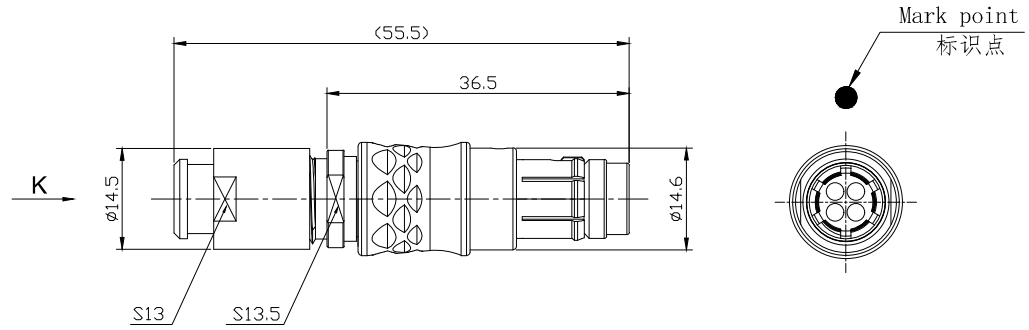
2. 电气性能


Insert Configuration/针芯配置: 2T.304 4Low Voltage  
 Pin Size/接触件直径: Ø1.3mm  
 Contact resistance接触电阻: ≤5mΩ  
 Insulation resistance/绝缘电阻: 5000MΩ (测试电压500V(DC))  
 Withstand voltage/耐电压: 1850V(AC)  
 Rated working current额定工作电流: 15.0A

Other Specification/其它规格:

Contact PIN/接触体: Gold plated Tin bronze/锡青铜镀金  
 Housing Material/外壳材质: Chrome plated brass/铜镀珍珠铬  
 Other metal spare parts/其余金属件: Nickel plated brass/铜镀镍  
 Insulator material/绝缘材料: PPS  
 IP Rating/防护等级: IP68(插合状态)

\*ALL MATERIALS ARE RoHS COMPLIANT/所有材料均符合RoHS要求.



DRAWN BY: 绘图: Z01      2024. 6. 20 CHECKED BY: 审核: Z01      2024. 6. 20 APPROVED BY: 核准: PD05      2024. 6. 20		 美易连电子科技(深圳)有限公司 Meiyilian electronic technology(shenzhen)Co. Ltd.	
GENERAL TOLERANCE (UNLESS SPECIFIED) ≤10 ±0.1 <10° ≤20 ±0.15 <20° ≤50 ±0.3 Angle ±1°			
FIRST ANGLE PROJECTION		比例 SCALE: 1: 1 型号 PART NAME TGG. 2T. 304. CLAC92Z	
REV/版本	A1	SHEET: 1 OF 1	