

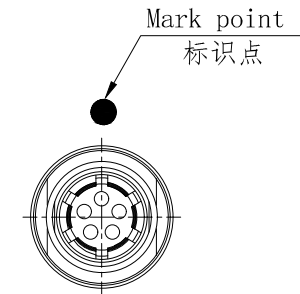
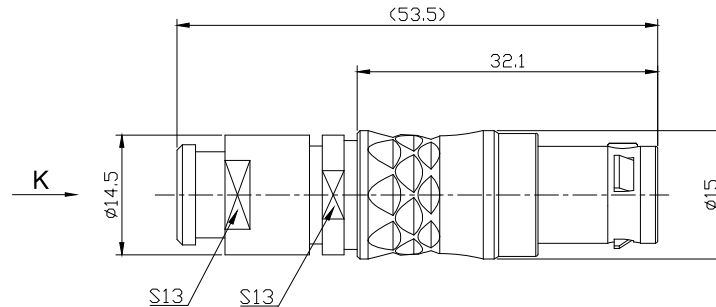
|        |                  |   |   |         |             |   |   |
|--------|------------------|---|---|---------|-------------|---|---|
| 1      | 2                | 3 | 4 | 5       | 6           | 7 | 8 |
| REV/版本 | DESCRIPTION/变更内容 |   |   | DATE/日期 | DRAWN BY/绘图 |   |   |

### 1) Product main performance/产品主要性能指标:

Operating Temperature/工作温度:  $-55^{\circ}\text{C} \sim 200^{\circ}\text{C}$   
Humidity(max)/最大潮湿:  $<=95\%$  [at 60 deg C / 140 F]  
Shielding /屏蔽性能: 75dB(10MHz) 40dB(1GHz)  
Salt Spray Corrosion/盐雾: 96hr  
P op (max)/最大环境压力: 60 bar (870 psi)

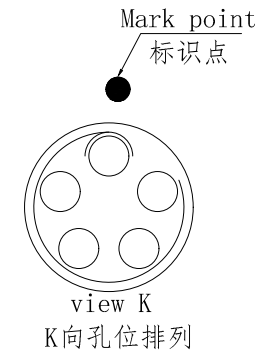
#### Mechanical data/机械特性:

Vibration/振动: 15g[10Hz~2000Hz]  
Shock Resistance/冲击: 100g[6ms]  
Endurance (Shell)/机械寿命: 5000次  
Cable/配接电缆:  $\phi 3.1\text{mm} - \phi 4.0\text{mm}$



### 2. 电气性能


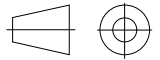
Insert Configuration/针芯配置: 2B.305 5Low Voltage  
Pin Size/接触件直径:  $\phi 1.3\text{mm}$   
Contact resistance/接触电阻:  $\leq 5\text{m}\Omega$   
Insulation resistance/绝缘电阻: 5000M $\Omega$  (测试电压500V(DC))  
Withstand voltage/耐电压: 1600V(AC)  
Rated working current/额定工作电流: 14.0A



### Other Specification/其它规格:

Contact PIN/接触体: Gold plated Tin bronze/锡青铜镀金  
Housing Material/外壳材质: Chrome plated brass/铜镀珍珠铬  
Other metal spare parts/其余金属件: Nickel plated brass/铜镀镍  
Insulator material/绝缘材料: PPS  
IP Rating/防护等级: IP50

\*ALL MATERIALS ARE RoHS COMPLIANT/所有材料均符合RoHS要求.

|                                                                                                                                            |                                                                                                                                                                      |                                                                                                                 |          |                 |                                                                      |
|--------------------------------------------------------------------------------------------------------------------------------------------|----------------------------------------------------------------------------------------------------------------------------------------------------------------------|-----------------------------------------------------------------------------------------------------------------|----------|-----------------|----------------------------------------------------------------------|
| DRAWN BY:<br>绘图: P003 2024.05.28<br>CHECKED BY:<br>审核: Z01 2024.05.28<br>APPROVED BY:<br>核准: P005 2024.05.28                               | <br><b>美易连电子科技(深圳)有限公司</b><br>Meiyilian electronic technology(shenzhen)Co.,Ltd. | UNIT: mm                                                                                                        |          | 名称<br>PART NAME | 2B-TG直式插头(带护套式尾帽)<br>2B-TG Straight plug<br>(with jacketed tail cap) |
|                                                                                                                                            |                                                                                                                                                                      | SCALE: 1: 1                                                                                                     |          |                 |                                                                      |
| GENERAL TOLERANCE<br>(UNLESS SPECIFIED)<br>$\leq 10 \pm 0.1$<br>$< 10 \sim 20 \pm 0.15$<br>$< 20 \sim 50 \pm 0.3$<br>Angle $\pm 1^{\circ}$ |                                                                                                                                                                      | <br>FIRST ANGLE PROJECTION | SIZE: A4 | 型号              | TGG. 2B. 305. CLAD42Z                                                |
| REV/版本                                                                                                                                     | A1                                                                                                                                                                   | SHEET: 1 OF 1                                                                                                   |          |                 |                                                                      |