

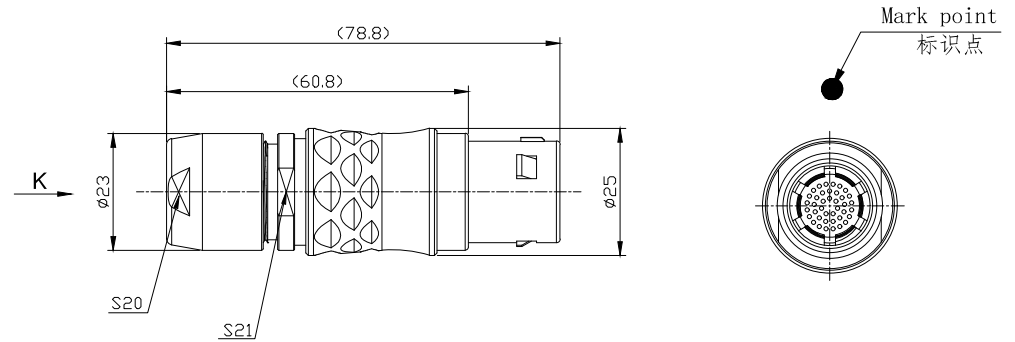
REV/版本	DESCRIPTION/变更内容	DATE/日期	DRAWN BY/绘图

### 1) Product main performance/产品主要性能指标:

Operating Temperature/工作温度:  $-55^{\circ}\text{C} \sim 200^{\circ}\text{C}$   
Humidity(max)/最大潮湿:  $<=95\%$  [at 60 deg C / 140 F]  
Shielding /屏蔽性能: 75dB(10MHz) 40dB(1GHz)  
Salt Spray Corrosion/盐雾: 96hr  
P op (max)/最大环境压力: 60 bar (870 psi)

#### Mechanical data/机械特性:

Vibration/振动: 15g[10Hz~2000Hz]  
Shock Resistance/冲击: 100g[6ms]  
Endurance (Shell)/机械寿命: 5000次  
Cable/配接电缆:  $\phi 13.1\text{mm} - \phi 14.0\text{mm}$



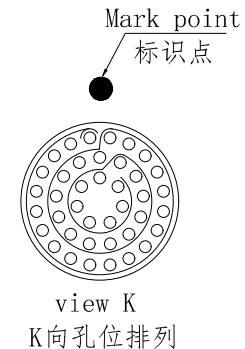
### 2. 电气性能


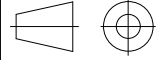
Insert Configuration/针芯配置: 4B.340 40Low Voltage  
Pin Size/接触件直径:  $\phi 0.7\text{mm}$   
Contact resistance接触电阻:  $\leq 12.5\text{m}\Omega$   
Insulation resistance/绝缘电阻: 5000M $\Omega$  (测试电压500V(DC))  
Withstand voltage/耐电压: 750V(AC)  
Rated working current额定工作电流: 2.0A

### Other Specification/其它规格:

Contact PIN/接触体: Gold plated Tin bronze/锡青铜镀金  
Housing Material/外壳材质: Chrome plated brass/铜镀珍珠铬  
Other metal spare parts/其余金属件: Nickel plated brass/铜镀镍  
Insulator material/绝缘材料: PPS  
IP Rating/防护等级: IP50

\*ALL MATERIALS ARE RoHS COMPLIANT/所有材料均符合RoHS要求.



DRAWN BY: 绘图: P003 2024. 05. 28 CHECKED BY: 审核: Z01 2024. 05. 28 APPROVED BY: 核准: P005 2024. 05. 28	 <b>美易连电子科技(深圳)有限公司</b> Meiyilian electronic technology(shenzhen)Co.,Ltd.	单位 UNIT: mm		名称	4B-TG直式插头(不带护套式尾帽) 4B-TG Straight plug (without jacketed tail cap)
		比例 SCALE: 1: 1		PART NAME	
GENERAL TOLERANCE (UNLESS SPECIFIED) $\leq 10 \pm 0.1$ $< 10 \sim 20 \pm 0.15$ $< 20 \sim 50 \pm 0.3$ Angle $\pm 1^{\circ}$		 FIRST ANGLE PROJECTION		型号	TGG. 4B. 340. CLAD142
REV/版本	A1	SHEET: 1 OF 1		PART NAME	