

1) Product main performance/产品主要性能指标:

Operating Temperature/工作温度:  $-55^{\circ}\text{C} \sim 200^{\circ}\text{C}$   
 Humidity(max)/最大潮湿:  $<=95\%$  [at 60 deg C / 140 F]  
 Shielding /屏蔽性能: 75dB(10MHz) 40dB(1GHz)  
 Salt Spray Corrosion/盐雾: 96hr  
 P op (max)/最大环境压力: 60 bar (870 psi)

Mechanical data/机械特性:

Vibration/振动: 15g[10Hz~2000Hz]  
 Shock Resistance/冲击: 100g[6ms]  
 Endurance (Shell)/机械寿命: 5000次  
 Cable/配接电缆:  $\phi 10.9\text{mm} - \phi 11.8\text{mm}$

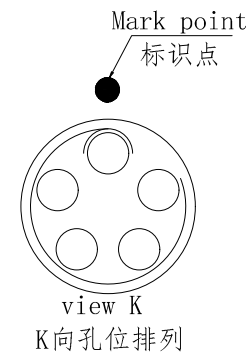
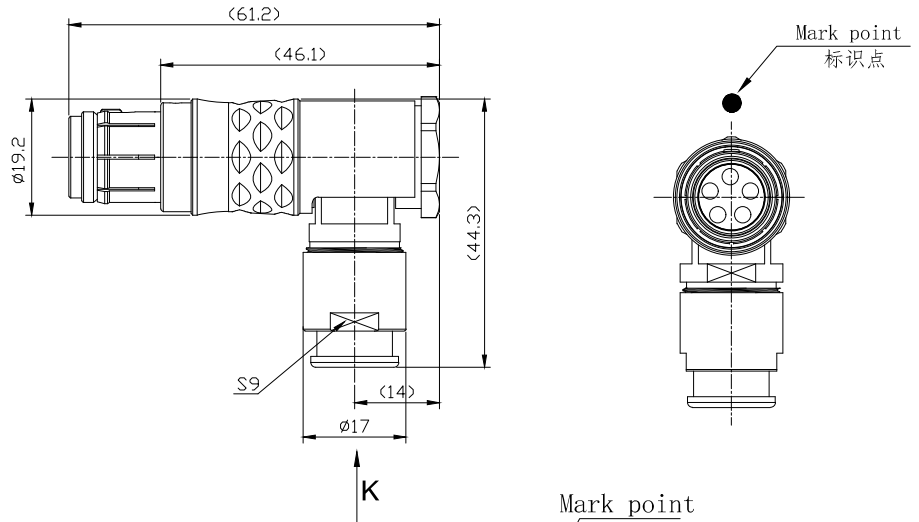
2. 电气性能

Insert Configuration/针芯配置: 3T. 305 5Low Voltage  
 Pin Size/接触件直径:  $\phi 1.6\text{mm}$   
 Contact resistance接触电阻:  $\leq 4\text{m}\Omega$   
 Insulation resistance/绝缘电阻: 5000M $\Omega$  (测试电压500V (DC))  
 Withstand voltage/耐电压: 1250V (AC)  
 Rated working current额定工作电流: 19.0A

Other Specification/其它规格:

Contact PIN/接触体: Gold plated Tin bronze/锡青铜镀金  
 Housing Material/外壳材质: Chrome plated brass/铜镀珍珠铬  
 Other metal spare parts/其余金属件: Nickel plated brass/铜镀镍  
 Insulator material/绝缘材料: PPS  
 IP Rating/防护等级: IP68(头座插合)

\*ALL MATERIALS ARE RoHS COMPLIANT/所有材料均符合RoHS要求.



DRAWN BY: 绘图: Z01 2024. 6. 20  CHECKED BY: 审核: Z01 2024. 6. 20  APPROVED BY: 核准: F005 2024. 6. 20	美易连电子科技(深圳)有限公司 Meiyilian electronic technology (shenzhen) Co. Ltd.	单位 UNIT: mm	名称 PART NAME	3T-TH直式插头(带护套式尾帽) 3T-TH Straight plug (with jacketed tail cap)
		比例 SCALE: 1: 1	型号 PART NAME	
GENERAL TOLERANCE (UNLESS SPECIFIED) $\leq 10 \pm 0.1$ $< 10^{\circ} \leq 20 \pm 0.15$ $< 20^{\circ} \leq 50 \pm 0.3$ Angle $\pm 1^{\circ}$	FIRST ANGLE PROJECTION	SIZE: A4	型号 PART NAME	THG. 3T. 305. CLAC120Z
REV/版本	A1	SHEET: 1 OF 1		