

1) Product main performance/产品主要性能指标:

Operating Temperature/工作温度 : -55°C~200°C  
 Humidity(max)/最大潮湿 : <=95% [at 60 deg C / 140 F]  
 Shielding /屏蔽性能 : 75dB(10MHz) 40dB(1GHz)  
 Salt Spray Corrosion/盐雾 : 96hr  
 P op (max)/最大环境压力 : 60 bar (870 psi)

Mechanical data/机械特性:

Vibration/振动 : 15g[10Hz~2000Hz]  
 Shock Resistance/冲击 : 100g[6ms]  
 Endurance (Shell)/机械寿命 : 5000次  
 Cable/配接电缆:  $\phi 2.4\text{mm}-\phi 3.3\text{mm}$

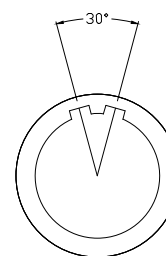
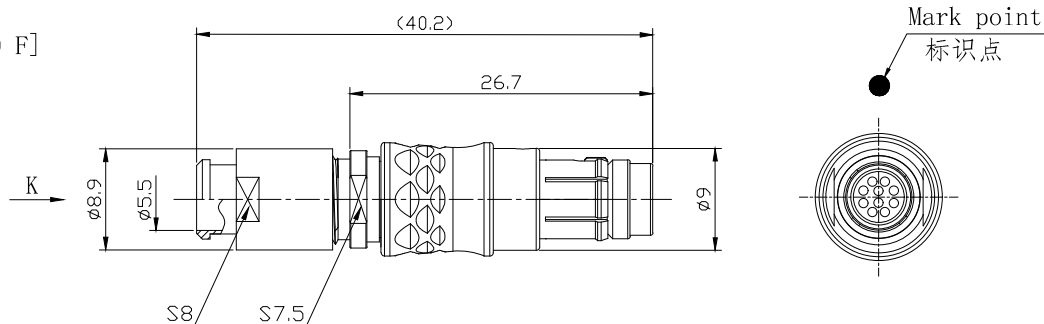
2. 电气性能

Insert Configuration/针芯配置: OT.310 10Low Voltage  
 Pin Size/接触件直径:  $\phi 0.5\text{mm}$   
 Contact resistance接触电阻:  $\leq 15\text{m}\Omega$   
 Insulation resistance/绝缘电阻:  $5000\text{M}\Omega$  (测试电压500V(DC))  
 Withstand voltage/耐电压: 500V(AC)  
 Rated working current额定工作电流: 2.0A

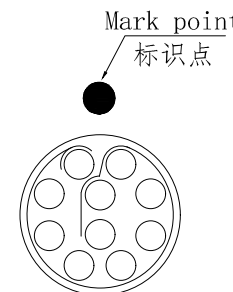
Other Specification/其它规格:

Contact PIN/接触体: Gold plated Tin bronze/锡青铜镀金  
 Housing Material/外壳材质: Chrome plated brass/铜镀珍珠铬  
 Other metal spare parts/其余金属件: Nickel plated brass/铜镀镍  
 Insulator material/绝缘材料: PPS  
 IP Rating/防护等级: IP68(插合状态)


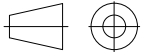
\*ALL MATERIALS ARE RoHS COMPLIANT/所有材料均符合RoHS要求.



Plug front view  
插头前视图



view K  
K向孔位排列

|  |    |  |  |   |
|--|----|--|--|---|
| DRAWN BY:<br>绘图: Z01 2024. 6. 20<br>CHECKED BY:<br>审核: Z01 2024. 6. 20<br>APPROVED BY:<br>核准: FD05 2024. 6. 20                                       |    |  美易连电子科技(深圳)有限公司<br>Meiyilian electronic technology (shenzhen) Co. Ltd. |  |   |
| GENERAL TOLERANCE<br>(UNLESS SPECIFIED)<br>$\leq 10 \pm 0.1$<br>$< 10^\circ \leq 20 \pm 0.15$<br>$< 20^\circ \leq 50 \pm 0.3$<br>Angle $\pm 1^\circ$ |    |  FIRST ANGLE PROJECTION   | 单位<br>UNIT: mm<br>名称<br>PART NAME<br>比例<br>SCALE: 1: 1<br>型号<br>PART NAME<br>图号<br>SIZE: A4<br>张数<br>SHEET: 1 OF 1 | OT-TG直式插头<br>OT-TG Straight plug<br>TGA. OT. 310. CLAC35Z |
| REVI/版本  | A1 |  |  |   |