

REV/版本	DESCRIPTION/变更内容	DATE/日期	DRAWN BY/绘图

Operating Temperature/工作温度 : -55°C~200°C
Humidity(max)/最大潮湿 : <=95% [at 60 deg C / 140 F]
Shielding /屏蔽性能 : 75dB(10MHz) 40dB(1GHz)
Salt Spray Corrosion/盐雾 : 96hr
P op (max)/最大环境压力 : 60 bar (870 psi)

Mechanical data/机械特性:

Vibration/振动 : 15g[10Hz~2000Hz]
Shock Resistance/冲击 : 100g[6ms]
Endurance (Shell)/机械寿命 : 5000次
Cable/配接电缆: ϕ 2.4mm- ϕ 3.3mm

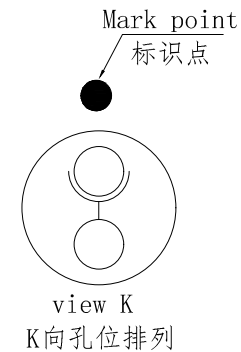
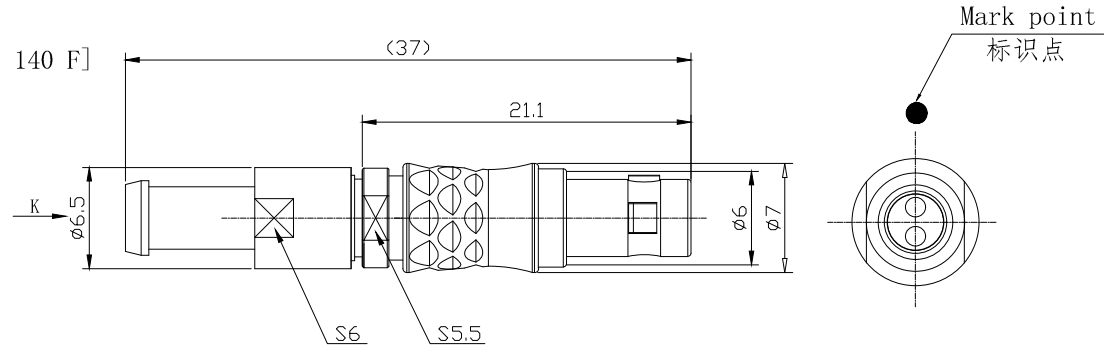
2. 电气性能


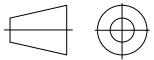
Insert Configuration/针芯配置: 00B.302 2Low Voltage
Pin Size/接触件直径: ϕ 0.5mm
Contact resistance接触电阻: \leq 15m Ω
Insulation resistance/绝缘电阻: 5000M Ω (测试电压500V(DC))
Withstand voltage/耐电压: 950V(AC)
Rated working current额定工作电流: 5.0A

Other Specification/其它规格:

Contact PIN/接触体: Gold plated Tin bronze/锡青铜镀金
Housing Material/外壳材质: Chrome plated brass/铜镀珍珠铬
Other metal spare parts/其余金属件: Nickel plated brass/铜镀镍
Insulator material/绝缘材料: PPS
IP Rating/防护等级: IP50

*ALL MATERIALS ARE RoHS COMPLIANT/所有材料均符合RoHS要求.



DRAWN BY: 绘图: P003 2024.05.28			美易连电子科技(深圳)有限公司	
CHECKED BY: 审核: Z01 2024.05.28			Meiyilian electronic technology (shenzhen) Co., Ltd.	
APPROVED BY: 核准: P005 2024.05.28				
GENERAL TOLERANCE (UNLESS SPECIFIED) \leq 10 \pm 0.1 $<$ 10 \sim 20 \pm 0.15 $<$ 20 \sim 50 \pm 0.3 Angle \pm 1°		 FIRST ANGLE PROJECTION	单位 UNIT: mm 名称 PART NAME 比例 SCALE: 1:1 SIZE: A4 型号 PART NAME	00B-TG直式插头(带护套式尾帽) 00B-TG Straight plug (with jacketed tail cap) TGG.00B.302.CLAD35Z
REV/版本	A1	SHEET: 1 OF 1		