

1) Product main performance/产品主要性能指标:

Operating Temperature/工作温度: $-55^{\circ}\text{C}\sim 200^{\circ}\text{C}$

Humidity(max)/最大潮湿: $\leq 95\%$ [at 60°C / 140°F]

Shielding /屏蔽性能: $75\text{dB}(10\text{MHz})$ $40\text{dB}(1\text{GHz})$

Salt Spray Corrosion/盐雾: 96hr

P op (max)/最大环境压力: 60 bar (870 psi)

Mechanical data/机械特性:

Vibration/振动: $15\text{g}[10\text{Hz}\sim 2000\text{Hz}]$

Shock Resistance/冲击: $100\text{g}[6\text{ms}]$

Endurance (Shell)/机械寿命: 5000次

Cable/配接电缆: $\phi 8.1\text{mm}\sim\phi 9.0\text{mm}$

2. 电气性能

Insert Configuration/针芯配置: 2T. 306 6Low Voltage

Pin Size/接触件直径: $\phi 1.3\text{mm}$

Contact resistance接触电阻: $\leq 5\text{m}\Omega$

Insulation resistance/绝缘电阻: $5000\text{M}\Omega$ (测试电压 $500\text{V}(\text{DC})$)

Withstand voltage/耐电压: $1450\text{V}(\text{AC})$

Rated working current额定工作电流: 12.0A

Other Specification/其它规格:

Contact PIN/接触体: Gold plated Tin bronze/锡青铜镀金

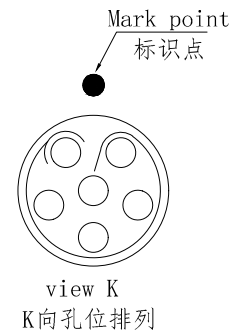
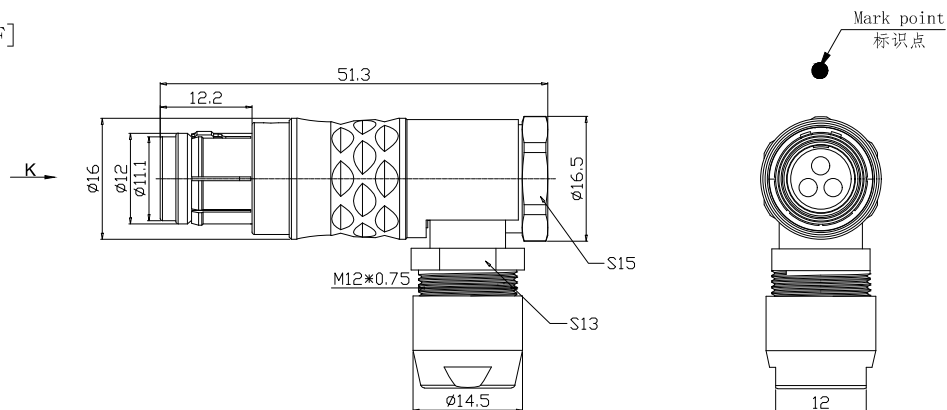
Housing Material/外壳材质: Chrome plated brass/铜镀珍珠铬

Other metal spare parts/其余金属件: Nickel plated brass/铜镀镍

Insulator material/绝缘材料: PPS

IP Rating/防护等级: IP68(插合状态)

*ALL MATERIALS ARE RoHS COMPLIANT/所有材料均符合RoHS要求.



DRAWN BY:
绘图: Z01 2024. 6. 20
CHECKED BY:
审核: Z01 2024. 6. 20
APPROVED BY:
核准: PD05 2024. 6. 20



美易连电子科技(深圳)有限公司
Meiyilian electronic technology (shenzhen) Co. Ltd.

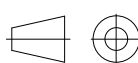
GENERAL TOLERANCE
(UNLESS SPECIFIED)

$\leq 10 \pm 0.1$

$< 10^{\circ} \sim \leq 20^{\circ} \pm 0.15$

$< 20^{\circ} \sim \leq 50^{\circ} \pm 0.3$

Angle $\pm 1^{\circ}$



REV/版本 A1

单位
UNIT: mm

名称
PART NAME

比例
SCALE: 1: 1

型号
PART NAME

SHEET: 1 OF 1

名称
PART NAME

型号
PART NAME

2T-TH直式插头
2T-TH Straight plug

THG. 2T. 306. CLAC92