

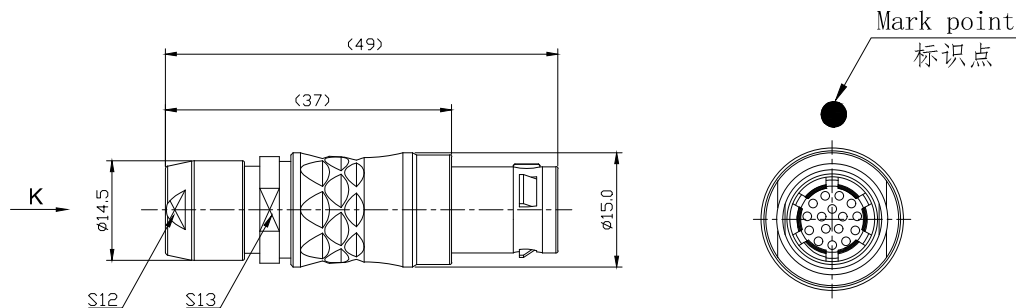
REV/版本	DESCRIPTION/变更内容	DATE/日期	DRAWN BY/绘图

### 1) Product main performance/产品主要性能指标:

Operating Temperature/工作温度 : -55°C~200°C  
 Humidity(max)/最大潮湿 : <=95% [at 60 deg C / 140 F]  
 Shielding /屏蔽性能 : 75dB(10MHz) 40dB(1GHz)  
 Salt Spray Corrosion/盐雾 : 96hr  
 P op (max)/最大环境压力 : 60 bar (870 psi)

#### Mechanical data/机械特性:

Vibration/振动 : 15g[10Hz~2000Hz]  
 Shock Resistance/冲击 : 100g[6ms]  
 Endurance (Shell)/机械寿命 : 5000次  
 Cable/配接电缆:  $\phi 7.1\text{mm}-\phi 8.0\text{mm}$



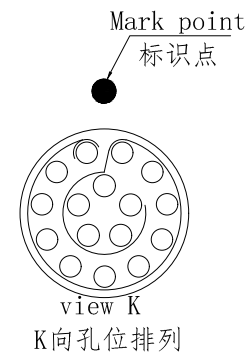
### 2. 电气性能


Insert Configuration/针芯配置: 2B.316 16Low Voltage  
 Pin Size/接触件直径:  $\phi 0.7\text{mm}$   
 Contact resistance接触电阻:  $\leq 12.5\text{m}\Omega$   
 Insulation resistance/绝缘电阻:  $5000\text{M}\Omega$  (测试电压500V(DC))  
 Withstand voltage/耐电压: 950V(AC)  
 Rated working current额定工作电流: 6.0A

### Other Specification/其它规格:

Contact PIN/接触体: Gold plated Tin bronze/锡青铜镀金  
 Housing Material/外壳材质: Chrome plated brass/铜镀珍珠铬  
 Other metal spare parts/其余金属件: Nickel plated brass/铜镀镍  
 Insulator material/绝缘材料: PPS  
 IP Rating/防护等级: IP50

\*ALL MATERIALS ARE RoHS COMPLIANT/所有材料均符合RoHS要求.



DRAWN BY: 绘图: P003 2024. 05. 28		 <b>美易连电子科技（深圳）有限公司</b> Meiyilian electronic technology (shenzhen) Co., Ltd.	名称 PART NAME		2B-TG直式插头（不带护套式尾帽） 2B-TG Straight plug (without jacketed tail cap)	
CHECKED BY: 审核: Z01 2024. 05. 28			单位 UNTT: mm	比例 SCALE: 1: 1	型号 PART NAME	TGG. 2B. 316. CLAD82
APPROVED BY: 核准: P005 2024. 05. 28			SIZE: A4	REV/版本		
GENERAL TOLERANCE (UNLESS SPECIFIED)		FIRST ANGLE PROJECTION		SHEET: 1 OF 1		
$\leq 10 \pm 0.1$ $< 10^\circ \leq 20 \pm 0.15$ $< 20^\circ \leq 50 \pm 0.3$ Angle $\pm 1^\circ$						