

1) Product main performance/产品主要性能指标:

Operating Temperature/工作温度 : -55℃~200℃  
 Humidity(max)/最大潮湿 : <=95% [at 60 deg C / 140 F]  
 Shielding /屏蔽性能 : 75dB(10MHz) 40dB(1GHz)  
 Salt Spray Corrosion/盐雾 : 96hr  
 P op (max)/最大环境压力 : 60 bar (870 psi)

Mechanical data/机械特性:  
 Vibration/振动 : 15g[10Hz~2000Hz]  
 Shock Resistance/冲击 : 100g[6ms]  
 Endurance (Shell)/机械寿命 : 5000+  
 Cable/配接电缆:  $\phi 4.1\text{mm}-\phi 5.0\text{mm}$

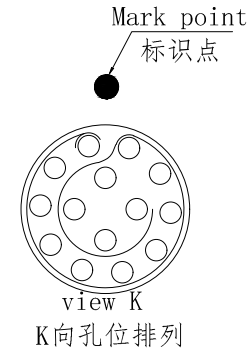
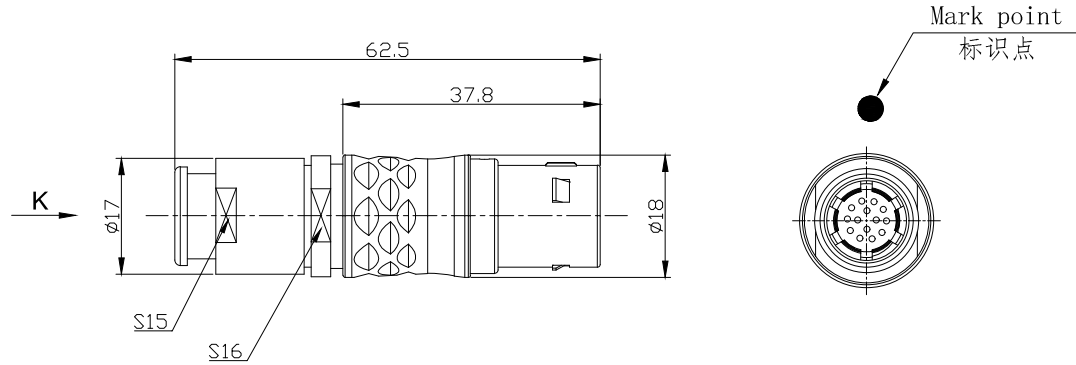
2. 电气性能

Insert Configuration/针芯配置: 3B.314 14Low Voltage  
 Pin Size/接触件直径:  $\phi 0.9\text{mm}$   
 Contact resistance接触电阻:  $\leq 9\text{m}\Omega$   
 Insulation resistance/绝缘电阻:  $5000\text{M}\Omega$  (测试电压500V(DC))  
 Withstand voltage/耐电压: 750V(AC)  
 Rated working current额定工作电流: 9.0A

Other Specification/其它规格:

Contact PIN/接触体: Gold plated Tin bronze/锡青铜镀金  
 Housing Material/外壳材质: Chrome plated brass/铜镀珍珠铬  
 Other metal spare parts/其余金属件: Nickel plated brass/铜镀镍  
 Insulator material/绝缘材料: PPS  
 IP Rating/防护等级: IP50

\*ALL MATERIALS ARE RoHS COMPLIANT/所有材料均符合RoHS要求.



美易连电子科技(深圳)有限公司  
 Meiyilian electronic technology(shenzhen)Co.,Ltd.

DRAWN BY: 绘图: P003 2024.05.28				单位 UNTT: mm	名称	3B-TG直式插头(带护套式尾帽) 3B-TG Straight plug (with jacketed tail cap)
CHECKED BY: 审核: Z01 2024.05.28				比例 SCALE: 1: 1	PART NAME	
APPROVED BY: 核准: P005 2024.05.28				SIZE: A4	型号	TGG. 3B. 314. CLAD52Z
GENERAL TOLERANCE (UNLESS SPECIFIED)		REV/版本	A1	SHEET: 1 OF 1	PART NAME	
$\leq 10 \pm 0.1$ $< 10 \sim \leq 20 \pm 0.15$ $< 20 \sim \leq 50 \pm 0.3$ Angle $\pm 1^\circ$						