

1) Product main performance/产品主要性能指标:

Operating Temperature/工作温度 : -55°C~200°C  
 Humidity(max)/最大潮湿 : <=95% [at 60 deg C / 140 F]  
 Shielding /屏蔽性能 : 75dB(10MHz) 40dB(1GHz)  
 Salt Spray Corrosion/盐雾 : 96hr  
 P op (max)/最大环境压力 : 60 bar (870 psi)

Mechanical data/机械特性:

Vibration/振动 : 15g[10Hz~2000Hz]  
 Shock Resistance/冲击 : 100g[6ms]  
 Endurance (Shell)/机械寿命 : 5000次  
 Cable/配接电缆:  $\phi 2.1\text{mm}-\phi 3.0\text{mm}$

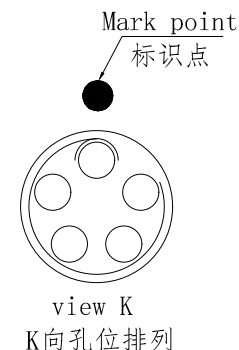
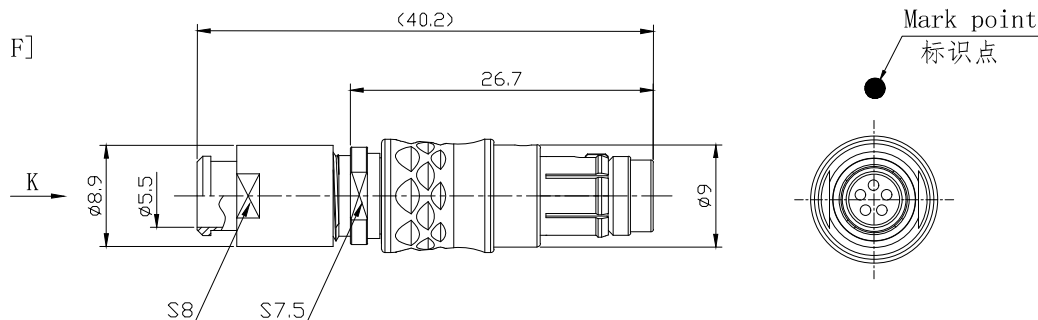
2. 电气性能

Insert Configuration/针芯配置: 0T.305 5Low Voltage  
 Pin Size/接触件直径:  $\phi 0.7\text{mm}$   
 Contact resistance接触电阻:  $\leq 12.5\text{m}\Omega$   
 Insulation resistance/绝缘电阻:  $5000\text{M}\Omega$  (测试电压500V(DC))  
 Withstand voltage/耐电压: 750V(AC)  
 Rated working current额定工作电流: 6.5A

Other Specification/其它规格:

Contact PIN/接触体: Gold plated Tin bronze/锡青铜镀金  
 Housing Material/外壳材质: Chrome plated brass/铜镀珍珠铬  
 Other metal spare parts/其余金属件: Nickel plated brass/铜镀镍  
 Insulator material/绝缘材料: PPS  
 IP Rating/防护等级: IP68(插合状态)

\*ALL MATERIALS ARE RoHS COMPLIANT/所有材料均符合RoHS要求.



|                                                                                                                                                      |                        |                                                                      |           |                       |
|------------------------------------------------------------------------------------------------------------------------------------------------------|------------------------|----------------------------------------------------------------------|-----------|-----------------------|
| DRAWN BY:<br>绘图: Z01<br>2024. 6. 20<br>CHECKED BY:<br>审核: Z01<br>2024. 6. 20<br>APPROVED BY:<br>核准: PD05<br>2024. 6. 20                              |                        | 美易连电子科技(深圳)有限公司<br>Meiyilian electronic technology(shenzhen)Co. Ltd. |           |                       |
| GENERAL TOLERANCE<br>(UNLESS SPECIFIED)<br>$\leq 10 \pm 0.1$<br>$< 10^\circ \leq 20 \pm 0.15$<br>$< 20^\circ \leq 50 \pm 0.3$<br>Angle $\pm 1^\circ$ | FIRST ANGLE PROJECTION | 单位<br>UNT: mm                                                        | 名称        | 0T-TG直式插头             |
|                                                                                                                                                      |                        | 比例<br>SCALE: 1: 1                                                    | PART NAME | 0T-TG Straight plug   |
|                                                                                                                                                      |                        | 型号<br>SIZE: A4                                                       | PART NAME | TGG. 0T. 305. CLAC32Z |
|                                                                                                                                                      | REV/版本<br>A1           | SHEET: 1 OF 1                                                        |           |                       |