

1) Product main performance/产品主要性能指标:

Operating Temperature/工作温度:  $-55^{\circ}\text{C} \sim 200^{\circ}\text{C}$   
 Humidity(max)/最大潮湿:  $\leq 95\%$  [at  $60^{\circ}\text{C}$  /  $140^{\circ}\text{F}$ ]  
 Shielding /屏蔽性能:  $75\text{dB}(10\text{MHz})$   $40\text{dB}(1\text{GHz})$   
 Salt Spray Corrosion/盐雾: 96hr  
 P op (max)/最大环境压力: 60 bar (870 psi)

Mechanical data/机械特性:

Vibration/振动:  $15\text{g}[10\text{Hz} \sim 2000\text{Hz}]$   
 Shock Resistance/冲击:  $100\text{g}[6\text{ms}]$   
 Endurance (Shell)/机械寿命: 5000次  
 Cable/配接电缆:  $\phi 2.4\text{mm} - \phi 3.3\text{mm}$

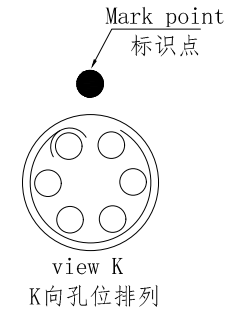
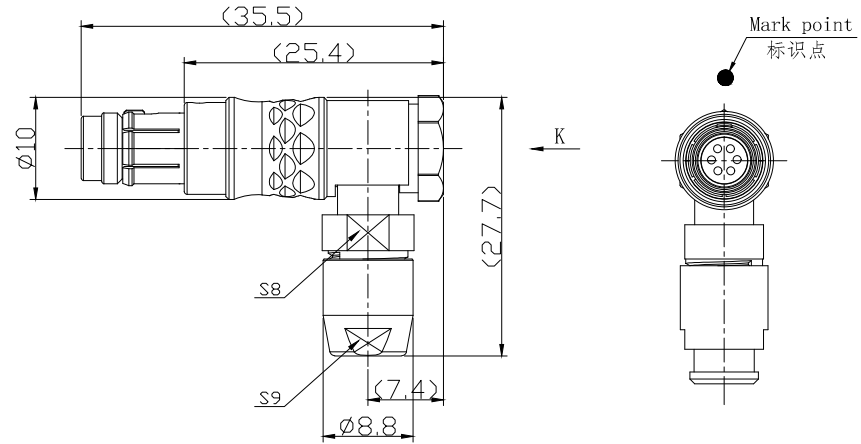
2. 电气性能


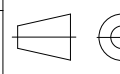
Insert Configuration/针芯配置: OT.306 6Low Voltage  
 Pin Size/接触件直径:  $\phi 0.5\text{mm}$   
 Contact resistance接触电阻:  $\leq 15\text{m}\Omega$   
 Insulation resistance/绝缘电阻:  $5000\text{M}\Omega$  (测试电压 $500\text{V}(\text{DC})$ )  
 Withstand voltage/耐电压:  $500\text{V}(\text{AC})$   
 Rated working current额定工作电流:  $2.5\text{A}$

Other Specification/其它规格:

Contact PIN/接触体: Gold plated Tin bronze/锡青铜镀金  
 Housing Material/外壳材质: Chrome plated brass/铜镀珍珠铬  
 Other metal spare parts/其余金属件: Nickel plated brass/铜镀镍  
 Insulator material/绝缘材料: PPS  
 IP Rating/防护等级: IP68(插合状态)

\*ALL MATERIALS ARE RoHS COMPLIANT/所有材料均符合RoHS要求.



|  |  |   |                 |
|--|--|---|-----------------|
| DRAWN BY:<br>绘图: Z01      2024. 6. 20<br>CHECKED BY:<br>审核: Z01      2024. 6. 20<br>APPROVED BY:<br>核准: P005      2024. 6. 20                        |  |  美易连电子科技(深圳)有限公司<br>Meiyilian electronic technology(shenzhen)Co.Ltd. |                 |
| GENERAL TOLERANCE<br>(UNLESS SPECIFIED)<br>$\leq 10 \pm 0.1$<br>$< 10 \sim \leq 20 \pm 0.15$<br>$< 20 \sim \leq 50 \pm 0.3$<br>Angle $\pm 1^{\circ}$ |  FIRST ANGLE PROJECTION | 单位<br>UNTT: mm  | 名称<br>PART NAME |
|  |  | 比例<br>SCALE: 1: 1   | 型号<br>PART NAME |
| REV/版本      A1   | SHEET: 1 OF 1  | OT-TH弯式插头<br>OT-TH Bent plug<br>THG. OT. 306. CLAC35  |                 |