

1) Product main performance/产品主要性能指标:

Operating Temperature/工作温度 : -55°C~200°C
 Humidity(max)/最大潮湿 : <=95% [at 60 deg C / 140 F]
 Shielding /屏蔽性能 : 75dB(10MHz) 40dB(1GHz)
 Salt Spray Corrosion/盐雾 : 96hr
 P op (max)/最大环境压力 : 60 bar (870 psi)

Mechanical data/机械特性:

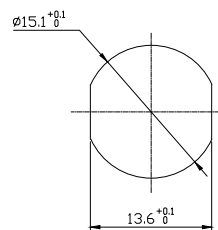
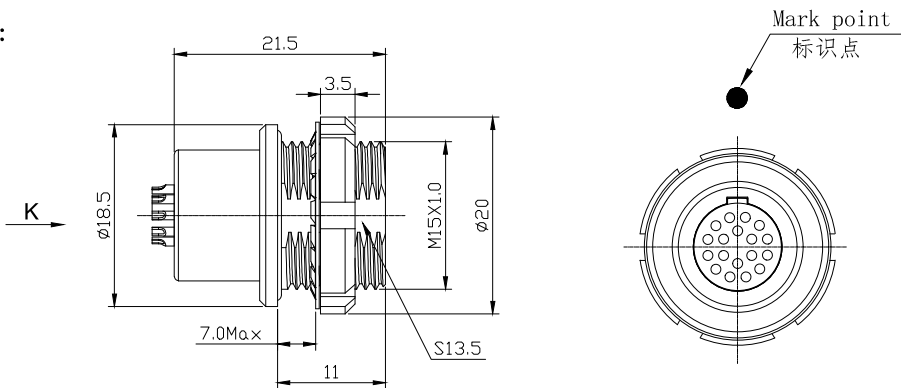
Vibration/振动 : 15g[10Hz~2000Hz]
 Shock Resistance/冲击 : 100g[6ms]
 Endurance (Shell)/机械寿命 : 5000次

2. 电气性能

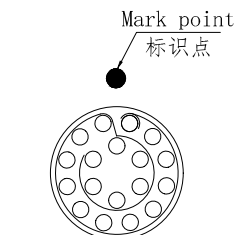
Insert Configuration/针芯配置: 2T. 318 18Low Voltage
 Pin Size/接触件直径: $\phi 0.7$ mm
 Contact resistance接触电阻: ≤ 12.5 m Ω
 Insulation resistance/绝缘电阻: 5000M Ω (测试电压500V(DC))
 Withstand voltage/耐电压: 875V(AC)
 Rated working current额定工作电流: 5.5A

Other Specification/其它规格:

Contact PIN/接触体: Gold plated Tin bronze/锡青铜镀金
 Housing Material/外壳材质: Chrome plated brass/铜镀珍珠铬
 Other metal spare parts/其余金属件: Nickel plated brass/铜镀镍
 Insulator material/绝缘材料: PPS
 IP Rating/防护等级: IP68(插合状态)
 *ALL MATERIALS ARE RoHS COMPLIANT/所有材料均符合RoHS要求.



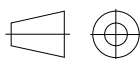
Panel cut-outs
建议安装开孔尺寸



view K
K向孔位排列

DRAWN BY:
绘图: Z01 2024. 6. 20
CHECKED BY:
审核: Z01 2024. 6. 20
APPROVED BY:
核准: PD05 2024. 6. 20

 美易连电子科技(深圳)有限公司
MeiYiLian electronic technology (shenzhen) Co. Ltd.

GENERAL TOLERANCE (UNLESS SPECIFIED) ≤10 ±0.1 <10~≤20 ±0.15 <20~≤50 ±0.3 Angle ±1°	 FIRST ANGLE PROJECTION	#位 UNITS: mm	名称	2T-ME固定式插座
		比例 SCALE: 1: 1	PART NAME	2T-ME Fixed socket
REV/版本	A1	SIZE: A4	型号	MEG. 2T. 318. CLL
		SHEET: 1 OF 1	PART NAME	