

1) Product main performance/产品主要性能指标:

Operating Temperature/工作温度 : -55°C~200°C
 Humidity(max)/最大潮湿 : <=95% [at 60 deg C / 140 F]
 Shielding /屏蔽性能 : 75dB(10MHz) 40dB(1GHz)
 Salt Spray Corrosion/盐雾 : 96hr
 P op (max)/最大环境压力 : 60 bar (870 psi)

Mechanical data/机械特性:

Vibration/振动 : 15g[10Hz~2000Hz]
 Shock Resistance/冲击 : 100g[6ms]
 Endurance (Shell)/机械寿命 : 5000次

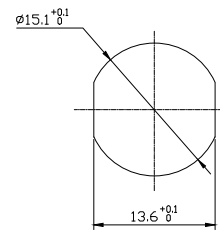
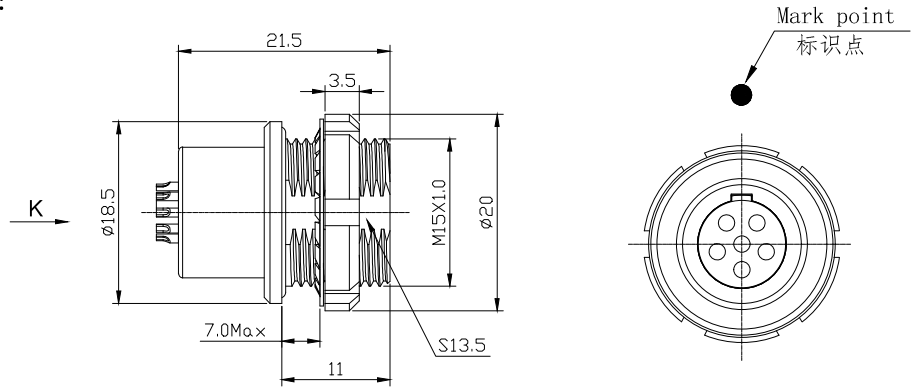
2. 电气性能

Insert Configuration/针芯配置:2T.306 6Low Voltage
 Pin Size/接触件直径:φ1.3mm
 Contact resistance接触电阻:≤5mΩ
 Insulation resistance/绝缘电阻:5000MΩ (测试电压500V(DC))
 Withstand voltage/耐电压:1000V(AC)
 Rated working current额定工作电流:12.0A

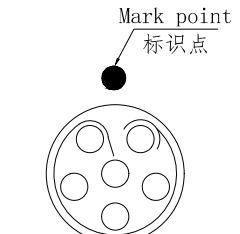
Other Specification/其它规格:

Contact PIN/接触体: Gold plated Tin bronze/锡青铜镀金
 Housing Material/外壳材质: Chrome plated brass/铜镀珍珠铬
 Other metal spare parts/其余金属件: Nickel plated brass/铜镀镍
 Insulator material/绝缘材料: PPS
 IP Rating/防护等级: IP68(插合状态)

*ALL MATERIALS ARE RoHS COMPLIANT/所有材料均符合RoHS要求.



Panel cut-outs
建议安装开孔尺寸

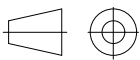


view K
K向孔位排列

DRAWN BY:
绘图:Z01 2024.6.20
CHECKED BY:
审核:Z01 2024.6.20
APPROVED BY:
核准:PDO5 2024.6.20

 美易连电子科技(深圳)有限公司 Meiyilian electronic technology(shenzhen)Co.Ltd.	名称 PART NAME	2T-ME固定式插座 2T-ME Fixed socket
	型号 PART NAME	MEG. 2T. 306. CLL

GENERAL TOLERANCE
(UNLESS SPECIFIED)
 ≤10 ±0.1
 <10°~20 ±0.15
 <20°~50 ±0.3
 Angle ±1°

 FIRST ANGLE PROJECTION	单位 UNTT: mm 比例 SCALE: 1: 1 尺寸 SIZE: A4 图版 SHEET: 1 OF 1
REV/版本	A1

名称 PART NAME	2T-ME固定式插座 2T-ME Fixed socket
型号 PART NAME	MEG. 2T. 306. CLL