

1) Product main performance/产品主要性能指标:

Operating Temperature/工作温度: $-55^{\circ}\text{C} \sim 200^{\circ}\text{C}$

Humidity(max)/最大潮湿: $<=95\%$ [at $60^{\circ}\text{C} / 140^{\circ}\text{F}$]

Shielding /屏蔽性能: 75dB(10MHz) 40dB(1GHz)

Salt Spray Corrosion/盐雾: 96hr

P op (max)/最大环境压力: 60 bar (870 psi)

Mechanical data/机械特性:

Vibration/振动: $15\text{g}[10\text{Hz} \sim 2000\text{Hz}]$

Shock Resistance/冲击: $100\text{g}[6\text{ms}]$

Endurance (Shell)/机械寿命: 5000次

Cable/配接电缆: $\phi 2.1\text{mm} - \phi 3.0\text{mm}$

2. 电气性能

Insert Configuration/针芯配置: 0T.306 6Low Voltage

Pin Size/接触件直径: $\phi 0.5\text{mm}$

Contact resistance接触电阻: $\leq 15\text{m}\Omega$

Insulation resistance/绝缘电阻: $5000\text{M}\Omega$ (测试电压500V(DC))

Withstand voltage/耐电压: 750V(AC)

Rated working current额定工作电流: 2.5A

Other Specification/其它规格:

Contact PIN/接触体: Gold plated Tin bronze/锡青铜镀金

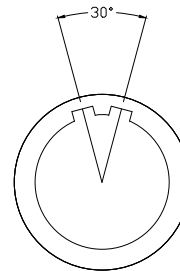
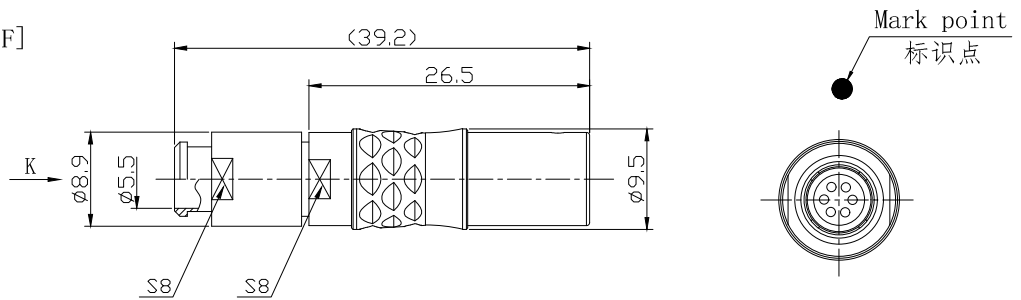
Housing Material/外壳材质: Chrome plated brass/铜镀珍珠铬

Other metal spare parts/其余金属件: Nickel plated brass/铜镀镍

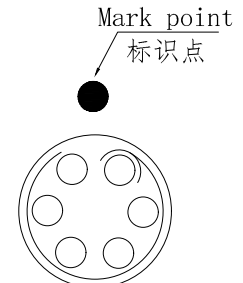
Insulator material/绝缘材料: PPS

IP Rating/防护等级: IP68(插合状态)


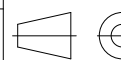
*ALL MATERIALS ARE RoHS COMPLIANT/所有材料均符合RoHS要求.



Socket front view
插座前视图



view K
K向孔位排列

DRAWN BY: 绘图: Z01 2024. 6. 20		 美易连 MEIYILIAN	美易连电子科技(深圳)有限公司	
CHECKED BY: 审核: Z01 2024. 6. 20			Meiyilian electronic technology(shenzhen)Co.Ltd.	
APPROVED BY: 核准: PDO5 2024. 6. 20				
GENERAL TOLERANCE (UNLESS SPECIFIED) $\leq 10 \pm 0.1$ $< 10 \sim \leq 20 \pm 0.15$ $< 20 \sim \leq 50 \pm 0.3$ Angle $\pm 1^{\circ}$		 FIRST ANGLE PROJECTION	单位 UNIT: mm 比例 SCALE: 1: 1 型号 SIZE: A4	名称 PART NAME 0T-DH浮动式插座(带护套式尾帽) 0T-DH Floating socket (with jacketed tail cap)
REV/版本	AI	SHEET: 1 OF 1	型号 PART NAME DHA. 0T. 306. CLLC32Z	