

1) Product main performance/产品主要性能指标:

Operating Temperature/工作温度:  $-55^{\circ}\text{C}\sim 200^{\circ}\text{C}$   
 Humidity(max)/最大潮湿:  $\leq 95\%$  [at  $60^{\circ}\text{C}$  /  $140^{\circ}\text{F}$ ]  
 Shielding /屏蔽性能:  $75\text{dB}(10\text{MHz})$   $40\text{dB}(1\text{GHz})$   
 Salt Spray Corrosion/盐雾: 96hr  
 P op (max)/最大环境压力: 60 bar (870 psi)

Mechanical data/机械特性:

Vibration/振动:  $15\text{g}[10\text{Hz}\sim 2000\text{Hz}]$   
 Shock Resistance/冲击:  $100\text{g}[6\text{ms}]$   
 Endurance (Shell)/机械寿命: 5000次  
 Cable/配接电缆:  $\phi 10.9\text{mm}-\phi 11.8\text{mm}$

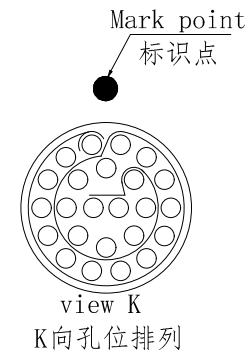
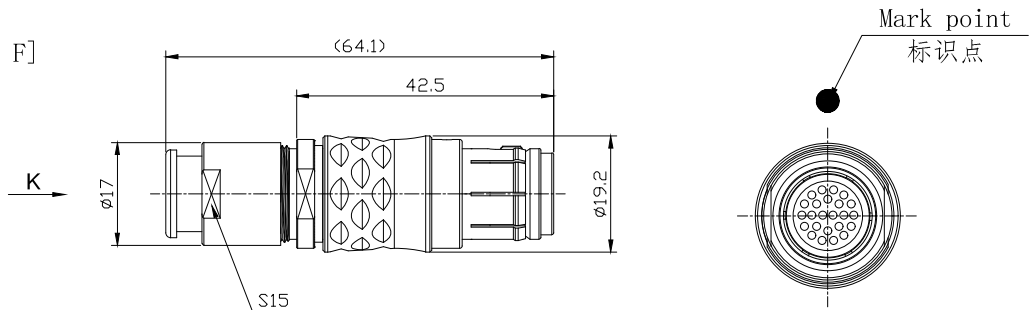
2. 电气性能


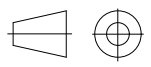
Insert Configuration/针芯配置: 3T. 324 24Low Voltage  
 Pin Size/接触件直径:  $\phi 0.7\text{mm}$   
 Contact resistance/接触电阻:  $\leq 12.5\text{m}\Omega$   
 Insulation resistance/绝缘电阻:  $5000\text{M}\Omega$  (测试电压 $500\text{V}(\text{DC})$ )  
 Withstand voltage/耐电压:  $800\text{V}(\text{AC})$   
 Rated working current/额定工作电流:  $4.0\text{A}$

Other Specification/其它规格:

Contact PIN/接触体: Gold plated Tin bronze/锡青铜镀金  
 Housing Material/外壳材质: Chrome plated brass/铜镀珍珠铬  
 Other metal spare parts/其余金属件: Nickel plated brass/铜镀镍  
 Insulator material/绝缘材料: PPS  
 IP Rating/防护等级: IP68(头座插合)

\*ALL MATERIALS ARE RoHS COMPLIANT/所有材料均符合RoHS要求.



DRAWN BY: 绘图: Z01      2024. 6. 20  CHECKED BY: 审核: Z01      2024. 6. 20  APPROVED BY: 核准: PD05      2024. 6. 20		 美易连电子科技(深圳)有限公司 Meiyilian electronic technology (shenzhen) Co. Ltd.	
GENERAL TOLERANCE (UNLESS SPECIFIED) $\leq 10 \pm 0.1$ $< 10^{\circ} \leq 20 \pm 0.15$ $< 20^{\circ} \leq 50 \pm 0.3$ Angle $\pm 1^{\circ}$		 FIRST ANGLE PROJECTION	名称 PART NAME 3T-TG直式插头(带护套式尾帽) 3T-TG Straight plug (with jacketed tail cap)
REV/版本      A1		单位 UNIT: mm  比例 SCALE: 1: 1  型号 PART NAME TGG. 3T. 324. CLAC120Z	SHEET: 1 OF 1