

1) Product main performance/产品主要性能指标:

Operating Temperature/工作温度:  $-55^{\circ}\text{C} \sim 200^{\circ}\text{C}$

Humidity(max)/最大潮湿:  $\leq 95\%$  [at 60 deg C / 140 F]

Shielding /屏蔽性能: 75dB(10MHz) 40dB(1GHz)

Salt Spray Corrosion/盐雾: 96hr

P op (max)/最大环境压力: 60 bar (870 psi)

Mechanical data/机械特性:

Vibration/振动: 15g[10Hz~2000Hz]

Shock Resistance/冲击: 100g[6ms]

Endurance (Shell)/机械寿命: 5000次

Cable/配接电缆:  $\phi 2.1\text{mm} - \phi 3.0\text{mm}$

2. 电气性能

Insert Configuration/针芯配置: 0T.310 10Low Voltage

Pin Size/接触件直径:  $\phi 0.5\text{mm}$

Contact resistance接触电阻:  $\leq 15\text{m}\Omega$

Insulation resistance/绝缘电阻: 5000M $\Omega$  (测试电压500V(DC))

Withstand voltage/耐电压: 500V(AC)

Rated working current额定工作电流: 2.0A

Other Specification/其它规格:

Contact PIN/接触体: Gold plated Tin bronze/锡青铜镀金

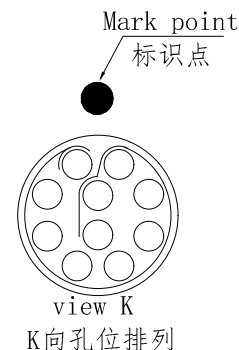
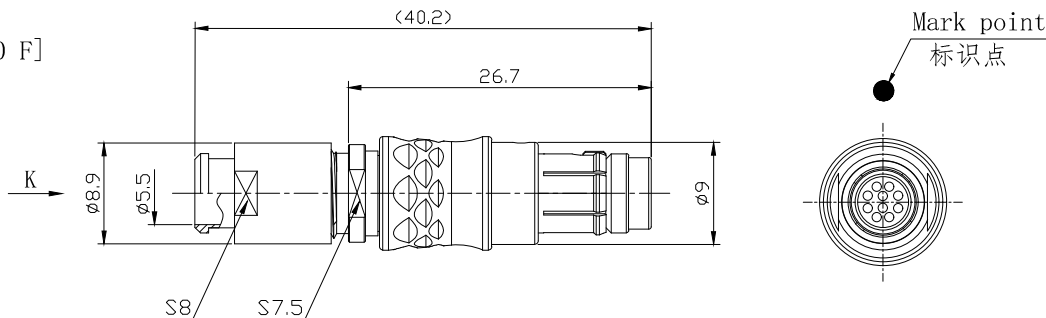
Housing Material/外壳材质: Chrome plated brass/铜镀珍珠铬

Other metal spare parts/其余金属件: Nickel plated brass/铜镀镍

Insulator material/绝缘材料: PPS

IP Rating/防护等级: IP68(插入状态)

\*ALL MATERIALS ARE RoHS COMPLIANT/所有材料均符合RoHS要求.



A

B

C

D

A

B

C

D

DRAWN BY:  
绘图: Z01 2024. 6. 20

CHECKED BY:  
审核: Z01 2024. 6. 20

APPROVED BY:  
核准: PD05 2024. 6. 20



美易连电子科技(深圳)有限公司  
Meiyilian electronic technology(shenzhen)Co. Ltd.

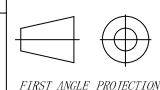
GENERAL TOLERANCE  
(UNLESS SPECIFIED)

$\leq 10 \pm 0.1$

$< 10^{\circ} \sim \leq 20^{\circ} \pm 0.15$

$< 20^{\circ} \sim \leq 50^{\circ} \pm 0.3$

Angle  $\pm 1^{\circ}$



单位  
UNTT: mm

比例  
SCALE: 1: 1

SIZE: AA

名称  
PART NAME

0T-TG直式插头  
0T-TG Straight plug

REV/版本

A1

SHEET: 1 OF 1

型号  
PART NAME

TGG. 0T. 310. CLAC32Z

1

2

3

4

5

6

7

8