

1) Product main performance/产品主要性能指标:

Operating Temperature/工作温度 : -55℃~200℃
 Humidity(max)/最大潮湿 : <=95% [at 60 deg C / 140 F]
 Shielding /屏蔽性能 : 75dB(10MHz) 40dB(1GHz)
 Salt Spray Corrosion/盐雾 : 96hr
 P op (max)/最大环境压力 : 60 bar (870 psi)

Mechanical data/机械特性:

Vibration/振动 : 15g[10Hz~2000Hz]
 Shock Resistance/冲击 : 100g[6ms]
 Endurance (Shell)/机械寿命 : 5000+
 Cable/配接电缆: $\phi 9.1\text{mm}-\phi 10.0\text{mm}$

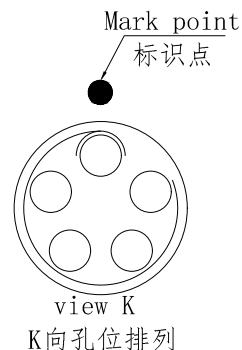
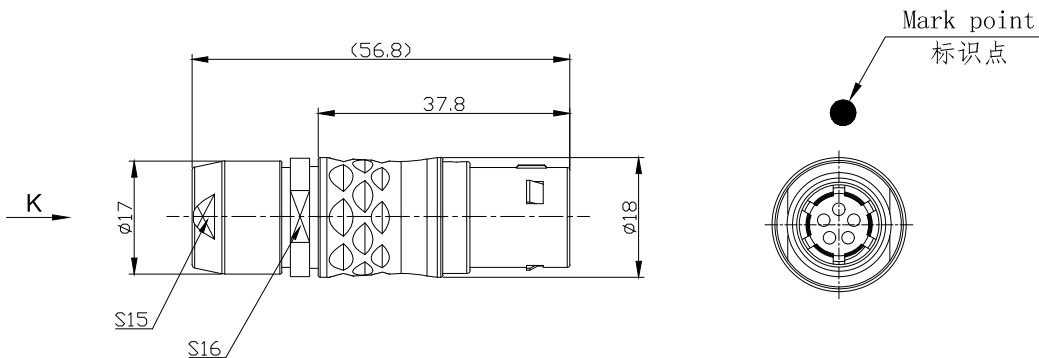
2. 电气性能

Insert Configuration/针芯配置: 3B. 305 5Low Voltage
 Pin Size/接触件直径: $\phi 1.6\text{mm}$
 Contact resistance接触电阻: $\leq 4\text{m}\Omega$
 Insulation resistance/绝缘电阻: 5000M Ω (测试电压500V(DC))
 Withstand voltage/耐电压: 750V(AC)
 Rated working current额定工作电流: 19.0A

Other Specification/其它规格:

Contact PIN/接触体: Gold plated Tin bronze/锡青铜镀金
 Housing Material/外壳材质: Chrome plated brass/铜镀珍珠铬
 Other metal spare parts/其余金属件: Nickel plated brass/铜镀镍
 Insulator material/绝缘材料: PPS
 IP Rating/防护等级: IP50

*ALL MATERIALS ARE RoHS COMPLIANT/所有材料均符合RoHS要求.



view K
K向孔位排列

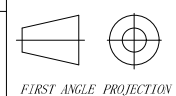
| | | | |
|--------|------------------|---------|-------------|
| REV/版本 | DESCRIPTION/变更内容 | DATE/日期 | DRAWN BY/绘图 |
| | | | |

| | |
|--------------------------|--------------|
| DRAWN BY: 绘图: PD03 | 2024. 05. 28 |
| CHECKED BY: 审核: Z01 | 2024. 05. 28 |
| APPROVED BY: 核准: PD05 | 2024. 05. 28 |



美易连电子科技(深圳)有限公司
 Meiyilian electronic technology(shenzhen)Co.,Ltd.

| | |
|---|---------------|
| GENERAL TOLERANCE (UNLESS SPECIFIED) | |
| ≤ 10 | ± 0.1 |
| $< 10 \sim \leq 20$ | ± 0.15 |
| $< 20 \sim \leq 50$ | ± 0.3 |
| Angle | $\pm 1^\circ$ |



FIRST ANGLE PROJECTION

| | |
|-------------------|-----------------|
| 单位 UNIT: mm | 名称 PART NAME |
| 比例 SCALE: 1: 1 | |
| SIZE: A4 | 型号 PART NAME |
| REV/版本 | |

| |
|--|
| 3B-TG直式插头(不带护套式尾帽) 3B-TG Straight plug (without jacketed tail cap) |
| TGG. 3B. 305. CLAD102 |

| | |
|--------|----|
| REV/版本 | A1 |
|--------|----|

| |
|---------------|
| SHEET: 1 OF 1 |
|---------------|