

1) Product main performance/产品主要性能指标:

Operating Temperature/工作温度:  $-55^{\circ}\text{C}\sim 200^{\circ}\text{C}$   
 Humidity(max)/最大潮湿:  $<=95\%$  [at 60 deg C / 140 F]  
 Shielding /屏蔽性能: 75dB(10MHz) 40dB(1GHz)  
 Salt Spray Corrosion/盐雾: 96hr  
 P op (max)/最大环境压力: 60 bar (870 psi)

Mechanical data/机械特性:

Vibration/振动: 15g[10Hz~2000Hz]  
 Shock Resistance/冲击: 100g[6ms]  
 Endurance (Shell)/机械寿命: 5000次  
 Cable/配接电缆:  $\phi 5.1\text{mm}-\phi 6.0\text{mm}$

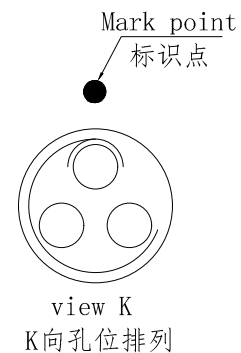
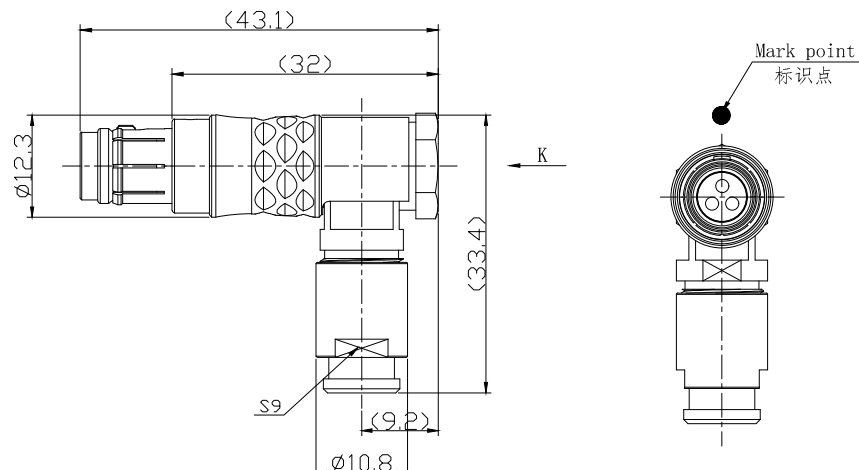
2. 电气性能


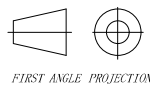
Insert Configuration/针芯配置: 1T.303 3Low Voltage  
 Pin Size/接触件直径:  $\phi 1.3\text{mm}$   
 Contact resistance接触电阻:  $\leq 5\text{m}\Omega$   
 Insulation resistance/绝缘电阻: 5000M $\Omega$  (测试电压500V(DC))  
 Withstand voltage/耐电压: 1000V(AC)  
 Rated working current额定工作电流: 12.0A

Other Specification/其它规格:

Contact PIN/接触体: Gold plated Tin bronze/锡青铜镀金  
 Housing Material/外壳材质: Chrome plated brass/铜镀珍珠铬  
 Other metal spare parts/其余金属件: Nickel plated brass/铜镀镍  
 Insulator material/绝缘材料: PPS  
 IP Rating/防护等级: IP68(插合状态)

\*ALL MATERIALS ARE RoHS COMPLIANT/所有材料均符合RoHS要求.



|  |    |   |  |   |
|--|----|---|--|---|
| DRAWN BY:<br>绘图: Z01 2024.6.20   |    |  美易连电子科技(深圳)有限公司<br>Meiyilian electronic technology(shenzhen)Co.Ltd. |  |   |
| CHECKED BY:<br>审核: Z01 2024.6.20   |    |   |  |   |
| APPROVED BY:<br>核准: PD05 2024.6.20   |    |   |  |   |
| GENERAL TOLERANCE<br>(UNLESS SPECIFIED)<br>$\leq 10 \pm 0.1$<br>$< 10^{\circ} \sim 20^{\circ} \pm 0.15$<br>$< 20^{\circ} \sim 50^{\circ} \pm 0.3$<br>Angle $\pm 1^{\circ}$ |    |  FIRST ANGLE PROJECTION  | 单位<br>UNITS: mm<br>比例<br>SCALE: 1: 1<br>SIZE: A4 | 名称<br>PART NAME<br>1T-TH直式插头<br>1T-TH Straight plug |
| REV/版本   | A1 | SHEET: 1 OF 1   | 型号<br>PART NAME<br>THG. 1T. 303. CLAC62Z         |   |