

1) Product main performance/产品主要性能指标:

Operating Temperature/工作温度 : -55°C~200°C
 Humidity(max)/最大潮湿 : <=95% [at 60 deg C / 140 F]
 Shielding /屏蔽性能 : 75dB(10MHz) 40dB(1GHz)
 Salt Spray Corrosion/盐雾 : 96hr
 P op (max)/最大环境压力 : 60 bar (870 psi)

Mechanical data/机械特性:

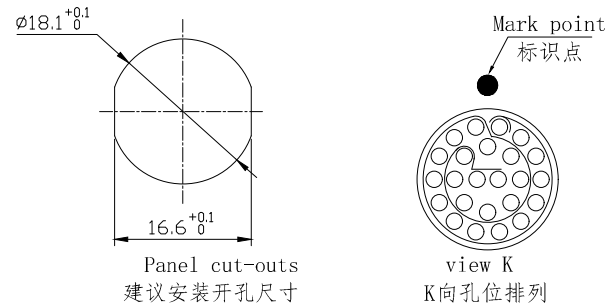
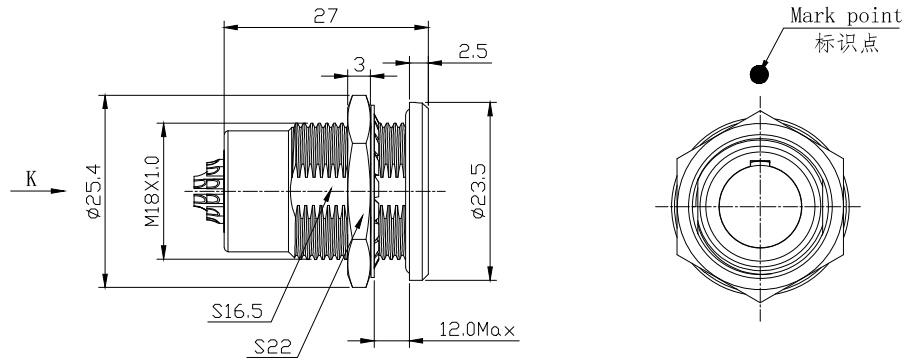
Vibration/振动 : 15g[10Hz~2000Hz]
 Shock Resistance/冲击 : 100g[6ms]
 Endurance (Shell)/机械寿命 : 5000次


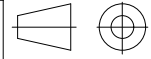
2. 电气性能

Insert Configuration/针芯配置:3T.324 24Low Voltage
 Pin Size/接触件直径:Φ0.7mm
 Contact resistance接触电阻:≤12.5mΩ
 Insulation resistance/绝缘电阻:5000MΩ (测试电压500V(DC))
 Withstand voltage/耐电压:800V(AC)
 Rated working current额定工作电流:4.0A

Other Specification/其它规格:

Contact PIN/接触体: Gold plated Tin bronze/锡青铜镀金
 Housing Material/外壳材质: Chrome plated brass/铜镀珍珠铬
 Other metal spare parts/其余金属件: Nickel plated brass/铜镀镍
 Insulator material/绝缘材料: PPS
 IP Rating/防护等级: IP68(头座插合)
 *ALL MATERIALS ARE RoHS COMPLIANT/所有材料均符合RoHS要求.



| | | | | |
|---|----|--|--|---|
| DRAWN BY: 绘图: Z01 2024. 6. 20 | |  美易连电子科技(深圳)有限公司 Meiyilian electronic technology(shenzhen)Co. Ltd. | | |
| CHECKED BY: 审核: Z01 2024. 6. 20 | | | | |
| APPROVED BY: 核准: PD05 2024. 6. 20 | | | | |
| GENERAL TOLERANCE (UNLESS SPECIFIED) ≤10 ±0.1 <10`≤20 ±0.15 <20`≤50 ±0.3 Angle ±1° | |  FIRST ANGLE PROJECTION | 单位 UNTT: mm 比例 SCALE: 1: 1 型号 SHEET: 1 OF 1 | 名称 PART NAME 3T-MG固定式插座 3T-MG Fixed socket |
| REVI/版本 | A1 | | | 型号 PART NAME MGG. 3T. 324. CLL |