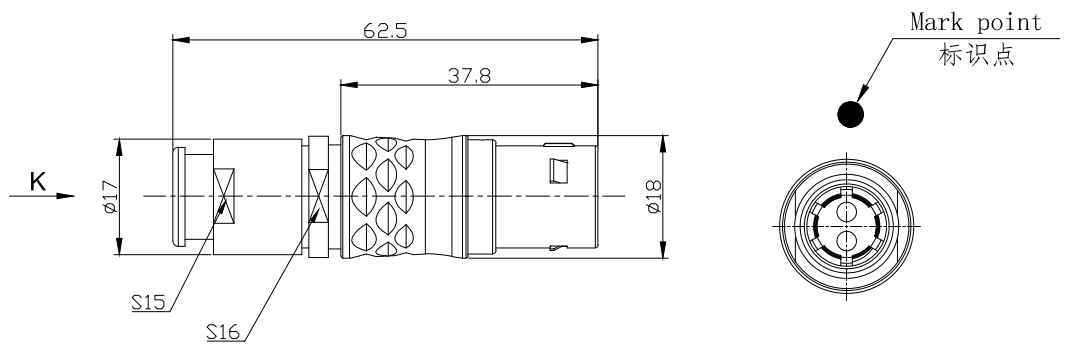


1	2	3	4	5	6	7	8
REV/版本		DESCRIPTION/变更内容			DATE/日期		DRAWN BY/绘图

1) Product main performance/产品主要性能指标:

Operating Temperature/工作温度 : -55°C~200°C
 Humidity(max)/最大潮湿 : <=95% [at 60 deg C / 140 F]
 Shielding /屏蔽性能 : 75dB(10MHz) 40dB(1GHz)
 Salt Spray Corrosion/盐雾 : 96hr
 P op (max)/最大环境压力 : 60 bar (870 psi)

Mechanical data/机械特性:
 Vibration/振动 : 15g[10Hz~2000Hz]
 Shock Resistance/冲击 : 100g[6ms]
 Endurance (Shell)/机械寿命 : 5000+
 Cable/配接电缆: $\phi 8.1\text{mm}-\phi 9.0\text{mm}$



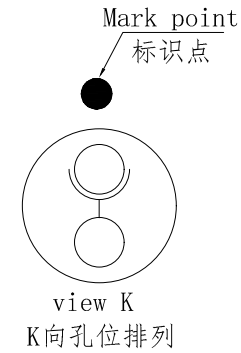
2. 电气性能

Insert Configuration/针芯配置: 3B.302 2Low Voltage
 Pin Size/接触件直径: $\phi 3.0\text{mm}$
 Contact resistance接触电阻: $\leq 3\text{m}\Omega$
 Insulation resistance/绝缘电阻: $5000\text{M}\Omega$ (测试电压500V(DC))
 Withstand voltage/耐电压: 875V(AC)
 Rated working current额定工作电流: 35.0A

Other Specification/其它规格:

Contact PIN/接触体: Gold plated Tin bronze/锡青铜镀金
 Housing Material/外壳材质: Chrome plated brass/铜镀珍珠铬
 Other metal spare parts/其余金属件: Nickel plated brass/铜镀镍
 Insulator material/绝缘材料: PPS
 IP Rating/防护等级: IP50

*ALL MATERIALS ARE RoHS COMPLIANT/所有材料均符合RoHS要求.



DRAWN BY: 绘图: PDO3 2024.05.28 CHECKED BY: 审核: Z01 2024.05.28 APPROVED BY: 核准: PDO5 2024.05.28		美易连电子科技(深圳)有限公司 Meiyilian electronic technology (shenzhen) Co., Ltd.	
GENERAL TOLERANCE (UNLESS SPECIFIED) $\leq 10 \pm 0.1$ $< 10^\circ \leq 20 \pm 0.15$ $< 20^\circ \leq 50 \pm 0.3$ Angle $\pm 1^\circ$			单位 UNTT: mm 比例 SCALE: 1:1 名称 PART NAME 3B-TG直式插头(带护套式尾帽) 3B-TG Straight plug (with jacketed tail cap)
REV/版本	A1	SHEET: 1 OF 1	