

1) Product main performance/产品主要性能指标:

Operating Temperature/工作温度: $-55^{\circ}\text{C}\sim 200^{\circ}\text{C}$

Humidity(max)/最大潮湿: $\leq 95\%$ [at 60°C / 140°F]

Shielding /屏蔽性能: $75\text{dB}(10\text{MHz})$ $40\text{dB}(1\text{GHz})$

Salt Spray Corrosion/盐雾: 96hr

P op (max)/最大环境压力: 60 bar (870 psi)

Mechanical data/机械特性:

Vibration/振动: $15\text{g}[10\text{Hz}\sim 2000\text{Hz}]$

Shock Resistance/冲击: $100\text{g}[6\text{ms}]$

Endurance (Shell)/机械寿命: 5000次

Cable/配接电缆: $\phi 9.1\text{mm}-\phi 10.0\text{mm}$

2. 电气性能

Insert Configuration/针芯配置: 3T.318 18Low Voltage

Pin Size/接触件直径: $\phi 0.9\text{mm}$

Contact resistance接触电阻: $\leq 9\text{m}\Omega$

Insulation resistance/绝缘电阻: $5000\text{M}\Omega$ (测试电压 $500\text{V}(\text{DC})$)

Withstand voltage/耐电压: $1050\text{V}(\text{AC})$

Rated working current额定工作电流: 7.0A

Other Specification/其它规格:

Contact PIN/接触体: Gold plated Tin bronze/锡青铜镀金

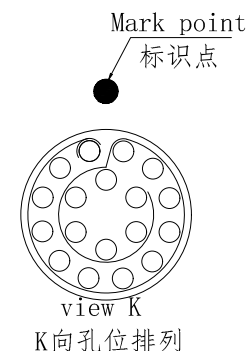
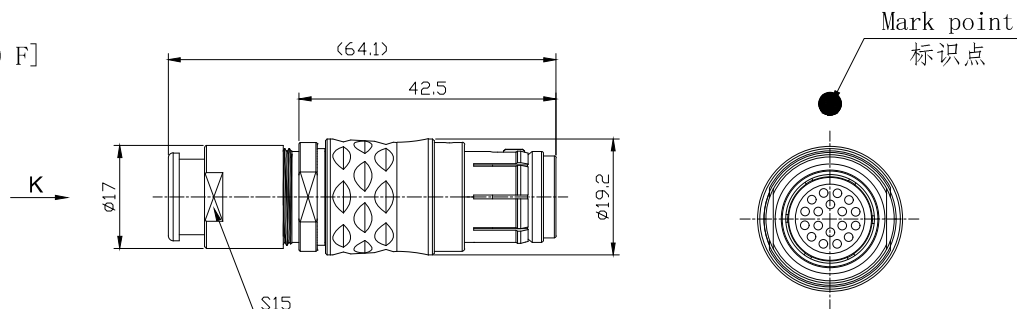
Housing Material/外壳材质: Chrome plated brass/铜镀珍珠铬


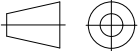
Other metal spare parts/其余金属件: Nickel plated brass/铜镀镍

Insulator material/绝缘材料: PPS

IP Rating/防护等级: IP68(头座插合)

*ALL MATERIALS ARE RoHS COMPLIANT/所有材料均符合RoHS要求.



DRAWN BY: 绘图: Z01 2024. 6. 20		 美易连 美易连电子科技(深圳)有限公司 Meiyilian electronic technology (shenzhen) Co. Ltd.	名称 PART NAME		3T-TG直式插头(带护套式尾帽) 3T-TG Straight plug (with jacketed tail cap)
CHECKED BY: 审核: Z01 2024. 6. 20			 FIRST ANGLE PROJECTION	单位 UNIT: mm 比例 SCALE: 1: 1 型号 PART NAME	型号 PART NAME TGG. 3T. 318. CLAC102Z
APPROVED BY: 核准: P005 2024. 6. 20			一般公差 GENERAL TOLERANCE (UNLESS SPECIFIED) ≤ 10 ± 0.1 $< 10^{\circ} \leq 20$ ± 0.15 $< 20^{\circ} \leq 50$ ± 0.3 Angle $\pm 1^{\circ}$	REV/版本	A1