

1) Product main performance/产品主要性能指标:

Operating Temperature/工作温度 : -55℃~200℃

Humidity(max)/最大潮湿 : <=95% [at 60 deg C / 140 F]

Shielding /屏蔽性能 : 75dB(10MHz) 40dB(1GHz)

Salt Spray Corrosion/盐雾 : 96hr

P op (max)/最大环境压力 : 60 bar (870 psi)

Mechanical data/机械特性:

Vibration/振动 : 15g[10Hz~2000Hz]

Shock Resistance/冲击 : 100g[6ms]

Endurance (Shell)/机械寿命 : 5000次

Cable/配接电缆:  $\phi 6.1\text{mm}$ ~ $\phi 7.0\text{mm}$

2. 电气性能

Insert Configuration/针芯配置: 2T. 318 18Low Voltage

Pin Size/接触件直径:  $\phi 0.7\text{mm}$

Contact resistance接触电阻:  $\leq 12.5\text{m}\Omega$

Insulation resistance/绝缘电阻:  $5000\text{M}\Omega$  (测试电压500V(DC))

Withstand voltage/耐电压:  $875\text{V(AC)}$

Rated working current额定工作电流:  $5.5\text{A}$

Other Specification/其它规格:

Contact PIN/接触体: Gold plated Tin bronze/锡青铜镀金

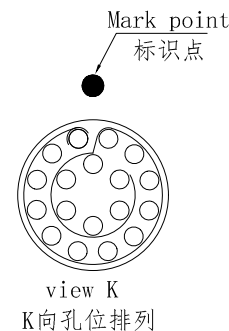
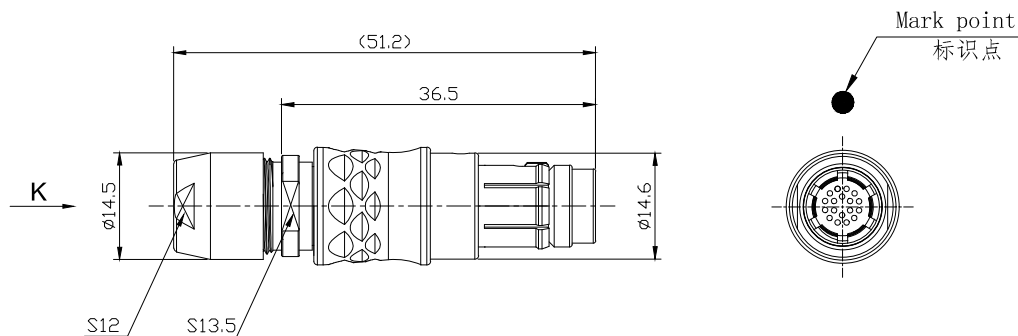
Housing Material/外壳材质: Chrome plated brass/铜镀珍珠铬


Other metal spare parts/其余金属件: Nickel plated brass/铜镀镍

Insulator material/绝缘材料: PPS

IP Rating/防护等级: IP68(插入状态)

\*ALL MATERIALS ARE RoHS COMPLIANT/所有材料均符合RoHS要求.



DRAWN BY: 绘图: Z01 2024. 6. 20 CHECKED BY: 审核: Z01 2024. 6. 20 APPROVED BY: 核准: PD05 2024. 6. 20		 美易连电子科技(深圳)有限公司 Meiyilian electronic technology(shenzhen)Co. Ltd.	
GENERAL TOLERANCE (UNLESS SPECIFIED) $\leq 10 \pm 0.1$ $< 10 \sim \leq 20 \pm 0.15$ $< 20 \sim \leq 50 \pm 0.3$ Angle $\pm 1^\circ$		单位 UNIT: mm 比例 SCALE: 1: 1 尺寸 SIZE: A4 图例 FIRST ANGLE PROJECTION	名称 PART NAME 2T-TG直式插头 2T-TG Straight plug 型号 PART NAME TGG. 2T. 318. CLAC72
REV/版本	A1	SHEET: 1 OF 1	