

1) Product main performance/产品主要性能指标:

Operating Temperature/工作温度:  $-55^{\circ}\text{C} \sim 200^{\circ}\text{C}$

Humidity(max)/最大潮湿:  $\leq 95\%$  [at  $60^{\circ}\text{C}$  /  $140^{\circ}\text{F}$ ]

Shielding /屏蔽性能:  $75\text{dB}(10\text{MHz})$   $40\text{dB}(1\text{GHz})$

Salt Spray Corrosion/盐雾: 96hr

P op (max)/最大环境压力: 60 bar (870 psi)

Mechanical data/机械特性:

Vibration/振动:  $15\text{g}[10\text{Hz} \sim 2000\text{Hz}]$

Shock Resistance/冲击:  $100\text{g}[6\text{ms}]$

Endurance (Shell)/机械寿命: 5000次

Cable/配接电缆:  $\phi 3.1\text{mm} - \phi 4.0\text{mm}$

2. 电气性能

Insert Configuration/针芯配置: 1T.305 5Low Voltage

Pin Size/接触件直径:  $\phi 0.9\text{mm}$

Contact resistance接触电阻:  $\leq 9\text{m}\Omega$

Insulation resistance/绝缘电阻:  $5000\text{M}\Omega$  (测试电压 $500\text{V}(\text{DC})$ )

Withstand voltage/耐电压:  $875\text{V}(\text{AC})$

Rated working current额定工作电流:  $9.0\text{A}$

Other Specification/其它规格:

Contact PIN/接触体: Gold plated Tin bronze/锡青铜镀金

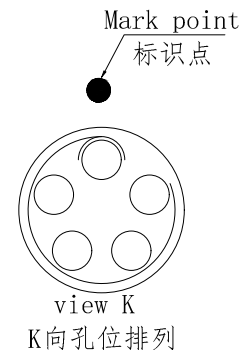
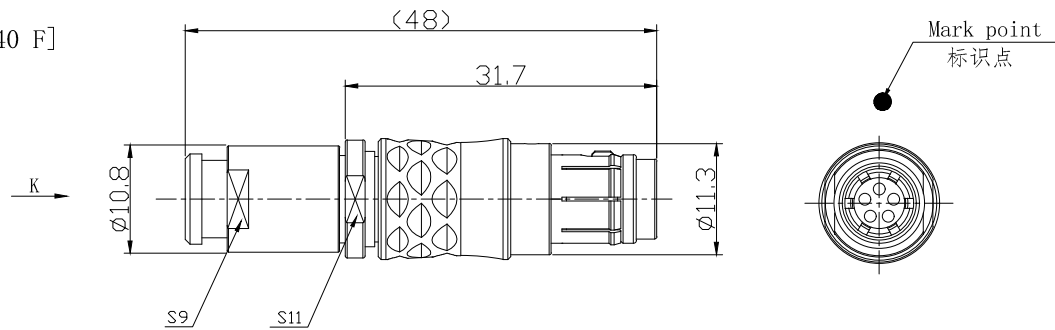
Housing Material/外壳材质: Chrome plated brass/铜镀珍珠铬


Other metal spare parts/其余金属件: Nickel plated brass/铜镀镍

Insulator material/绝缘材料: PPS

IP Rating/防护等级: IP68(插合状态)

\*ALL MATERIALS ARE RoHS COMPLIANT/所有材料均符合RoHS要求.



DRAWN BY: 绘图: Z01      2024. 6. 20 CHECKED BY: 审核: Z01      2024. 6. 20 APPROVED BY: 核准: PD05      2024. 6. 20		 美易连电子科技(深圳)有限公司 Meiyilian electronic technology(shenzhen)Co. Ltd.		名称 PART NAME 1T-TG直式插头 1T-TG Straight plug	
GENERAL TOLERANCE (UNLESS SPECIFIED) $\leq 10 \pm 0.1$ $< 10^{\circ} \sim 20^{\circ} \pm 0.15$ $< 20^{\circ} \sim 50^{\circ} \pm 0.3$ Angle $\pm 1^{\circ}$				单位 UNIT: mm 比例 SCALE: 1: 1 型号 PART NAME TGG. 1T. 305. CLAC42Z	
FIRST ANGLE PROJECTION		REV/版本 A1	SHEET: 1 OF 1		