

1) Product main performance/产品主要性能指标:

Operating Temperature/工作温度:  $-55^{\circ}\text{C}\sim 200^{\circ}\text{C}$

Humidity(max)/最大潮湿:  $\leq 95\%$  [at 60 deg C / 140 F]

Shielding /屏蔽性能: 75dB(10MHz) 40dB(1GHz)

Salt Spray Corrosion/盐雾: 96hr

P op (max)/最大环境压力: 60 bar (870 psi)

Mechanical data/机械特性:

Vibration/振动: 15g[10Hz~2000Hz]

Shock Resistance/冲击: 100g[6ms]

Endurance (Shell)/机械寿命: 5000次

Cable/配接电缆: $\phi 3.4\text{mm}\text{--}\phi 4.3\text{mm}$

2. 电气性能

Insert Configuration/针芯配置: 2T. 307 7Low Voltage

Pin Size/接触件直径: $\phi 1.3\text{mm}$

Contact resistance接触电阻: $\leq 5\text{m}\Omega$

Insulation resistance/绝缘电阻: 5000M $\Omega$  (测试电压500V (DC))

Withstand voltage/耐电压: 1600V (AC)

Rated working current额定工作电流: 11.0A

Other Specification/其它规格:

Contact PIN/接触体: Gold plated Tin bronze/锡青铜镀金

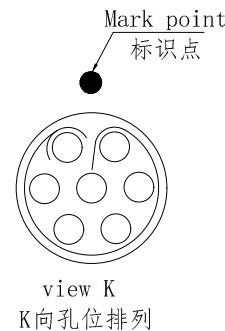
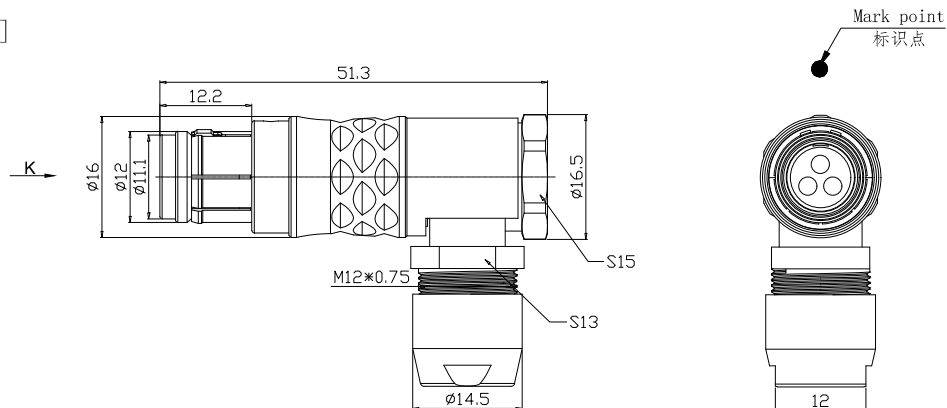
Housing Material/外壳材质: Chrome plated brass/铜镀珍珠铬

Other metal spare parts/其余金属件: Nickel plated brass/铜镀镍

Insulator material/绝缘材料: PPS

IP Rating/防护等级: IP68(插合状态)

\*ALL MATERIALS ARE RoHS COMPLIANT/所有材料均符合RoHS要求.



DRAWN BY:  
绘图: Z01 2024. 6. 20  
CHECKED BY:  
审核: Z01 2024. 6. 20  
APPROVED BY:  
核准: PD05 2024. 6. 20



美易连电子科技(深圳)有限公司  
Meiyilian electronic technology(shenzhen)Co. Ltd.

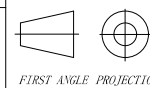
GENERAL TOLERANCE  
(UNLESS SPECIFIED)

$\leq 10 \pm 0.1$

$< 10^{\circ} \leq 20 \pm 0.15$

$< 20^{\circ} \leq 50 \pm 0.3$

Angle  $\pm 1^{\circ}$



FIRST ANGLE PROJECTION

REV/版本 A1

单位  
UNIT: mm

名称  
PART NAME

比例  
SCALE: 1: 1

型号  
PART NAME

2T-TH直式插头  
2T-TH Straight plug

THG. 2T. 307. CLAC45

SHEET: 1 OF 1