

1) Product main performance/产品主要性能指标:

Operating Temperature/工作温度 : -55℃~200℃  
 Humidity(max)/最大潮湿 : <=95% [at 60 deg C / 140 F]  
 Shielding /屏蔽性能 : 75dB(10MHz) 40dB(1GHz)  
 Salt Spray Corrosion/盐雾 : 96hr  
 P op (max)/最大环境压力 : 60 bar (870 psi)

Mechanical data/机械特性:

Vibration/振动 : 15g[10Hz~2000Hz]  
 Shock Resistance/冲击 : 100g[6ms]  
 Endurance (Shell)/机械寿命 : 5000次  
 Cable/配接电缆: Ø4.1mm-Ø5.0mm

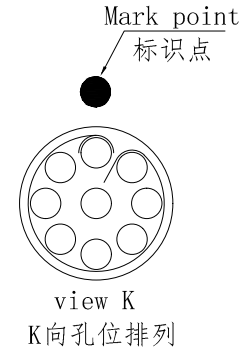
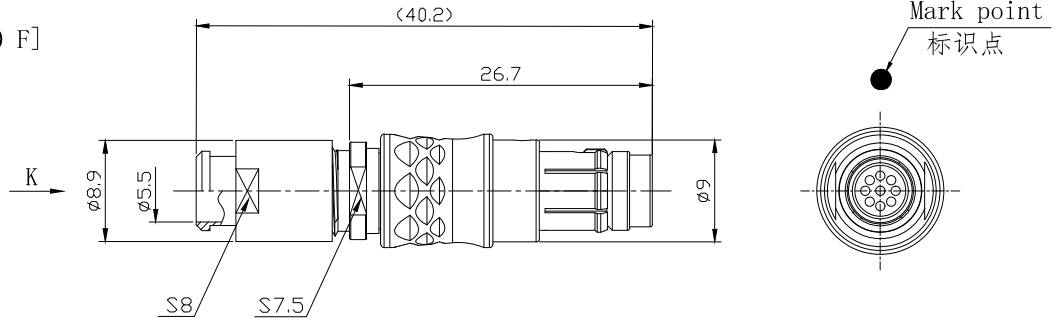
2. 电气性能


Insert Configuration/针芯配置: 0T. 309 9Low Voltage  
 Pin Size/接触件直径: Ø0.5mm  
 Contact resistance接触电阻: ≤15mΩ  
 Insulation resistance/绝缘电阻: 5000MΩ (测试电压500V(DC))  
 Withstand voltage/耐电压: 500V(AC)  
 Rated working current额定工作电流: 2.0A

Other Specification/其它规格:

Contact PIN/接触体: Gold plated Tin bronze/锡青铜镀金  
 Housing Material/外壳材质: Chrome plated brass/铜镀珍珠铬  
 Other metal spare parts/其余金属件: Nickel plated brass/铜镀镍  
 Insulator material/绝缘材料: PPS  
 IP Rating/防护等级: IP68(插合状态)

\*ALL MATERIALS ARE RoHS COMPLIANT/所有材料均符合RoHS要求.



|   |  |  |  |                   |  |                                  |  |                       |
|---|--|--|--|-------------------|--|----------------------------------|--|-----------------------|
| DRAWN BY:<br>绘图: Z01 2024. 6. 20        |  |  美易连电子科技(深圳)有限公司<br>Meiyilian electronic technology (shenzhen) Co. Ltd. |  | 名称<br>PART NAME   |  | 0T-TG直式插头<br>0T-TG Straight plug |  |                       |
| CHECKED BY:<br>审核: Z01 2024. 6. 20      |  |  |  | 单位<br>UNTT: mm    |  | 型号<br>PART NAME                  |  | TGG. 0T. 309. CLAC52Z |
| APPROVED BY:<br>核准: PD05 2024. 6. 20    |  |  |  | 比例<br>SCALE: 1: 1 |  | 尺寸<br>SIZE: A4                   |  |                       |
| GENERAL TOLERANCE<br>(UNLESS SPECIFIED) |  | FIRST ANGLE PROJECTION   |  | REV/版本            |  | A1                               |  |                       |
| ≤10 ±0.1                                |  |  |  | SHEET: 1 OF 1     |  |                                  |  |                       |
| <10° ≤20 ±0.15                          |  |  |  |                   |  |                                  |  |                       |
| <20° ≤50 ±0.3                           |  |  |  |                   |  |                                  |  |                       |
| Angle ±1°                               |  |  |  |                   |  |                                  |  |                       |