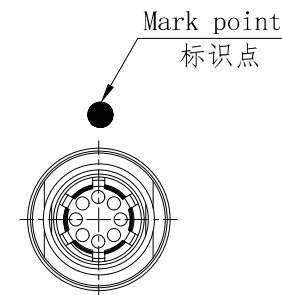
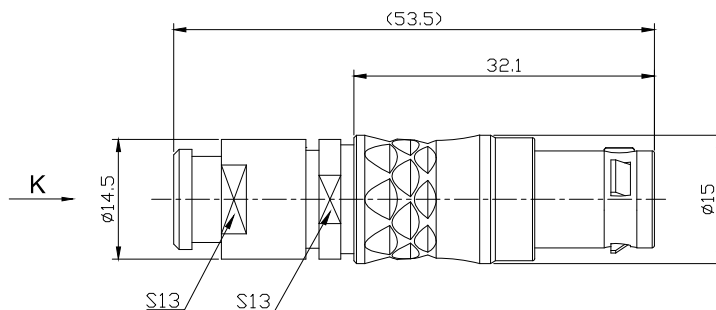


REV/版本	DESCRIPTION/变更内容	DATE/日期	DRAWN BY/绘图

1) Product main performance/产品主要性能指标:

Operating Temperature/工作温度 : -55°C~200°C
 Humidity(max)/最大潮湿 : <=95% [at 60 deg C / 140 F]
 Shielding /屏蔽性能 : 75dB(10MHz) 40dB(1GHz)
 Salt Spray Corrosion/盐雾 : 96hr
 P op (max)/最大环境压力 : 60 bar (870 psi)

Mechanical data/机械特性:
 Vibration/振动 : 15g[10Hz~2000Hz]
 Shock Resistance/冲击 : 100g[6ms]
 Endurance (Shell)/机械寿命 : 5000次
 Cable/配接电缆: Ø8.1mm-Ø9.0mm



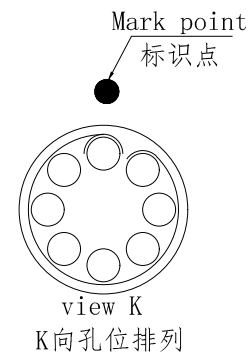
2. 电气性能

Insert Configuration/针芯配置: 2B. 308 8Low Voltage
 Pin Size/接触件直径: Ø0.9mm
 Contact resistance接触电阻: ≤9mΩ
 Insulation resistance/绝缘电阻: 5000MΩ (测试电压500V(DC))
 Withstand voltage/耐电压: 1250V(AC)
 Rated working current额定工作电流: 10.0A


Other Specification/其它规格:

Contact PIN/接触体: Gold plated Tin bronze/锡青铜镀金
 Housing Material/外壳材质: Chrome plated brass/铜镀珍珠铬
 Other metal spare parts/其余金属件: Nickel plated brass/铜镀镍
 Insulator material/绝缘材料: PPS
 IP Rating/防护等级: IP50

*ALL MATERIALS ARE RoHS COMPLIANT/所有材料均符合RoHS要求.



DRAWN BY: 绘图: PDO3	2024. 05. 28
CHECKED BY: 审核: Z01	2024. 05. 28
APPROVED BY: 核准: PDO5	2024. 05. 28
GENERAL TOLERANCE (UNLESS SPECIFIED)	
≤10 ±0.1	
<10~≤20 ±0.15	
<20~≤50 ±0.3	
Angle ±1°	

 美易连电子科技(深圳)有限公司 Meiyilian electronic technology(shenzhen)Co.,Ltd.		单位 UNTT: mm	名称	2B-TG直式插头(带护套式尾帽) 2B-TG Straight plug (with jacketed tail cap)
		比例 SCALE: 1: 1	PART NAME	
REV/版本	A1	SIZE: A1	型号	TGG. 2B. 308. CLAD92Z
SHEET: 1 OF 1		PART NAME		