

1) Product main performance/产品主要性能指标:

Operating Temperature/工作温度 : -55°C~200°C  
 Humidity(max)/最大潮湿 : <=95% [at 60 deg C / 140 F]  
 Shielding /屏蔽性能 : 75dB(10MHz) 40dB(1GHz)  
 Salt Spray Corrosion/盐雾 : 96hr  
 P op (max)/最大环境压力 : 60 bar (870 psi)

Mechanical data/机械特性:

Vibration/振动 : 15g[10Hz~2000Hz]  
 Shock Resistance/冲击 : 100g[6ms]  
 Endurance (Shell)/机械寿命 : 5000次  
 Cable/配接电缆:  $\phi 6.1\text{mm}-\phi 7.0\text{mm}$

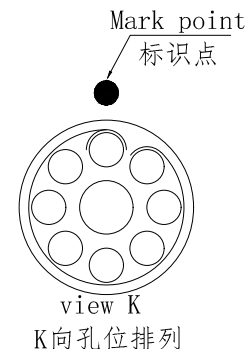
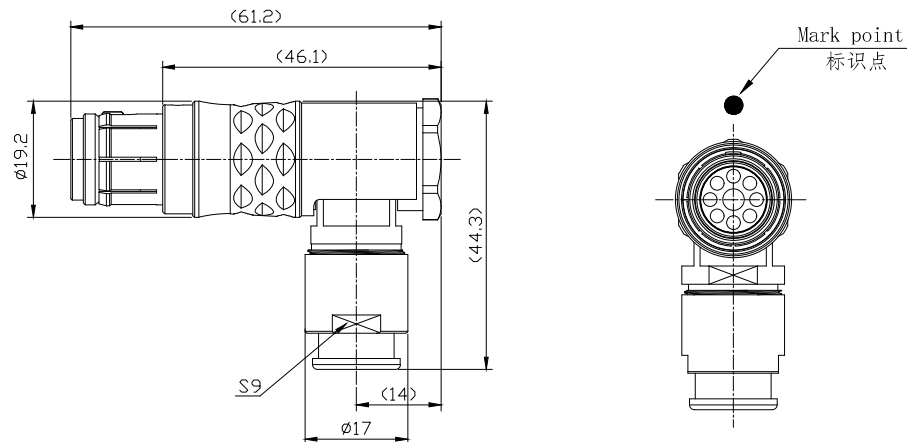
2. 电气性能


Insert Configuration/针芯配置: 3T. 309 9Low Voltage  
 Pin Size/接触件直径:  $\phi 2.0/1.3\text{mm}$   
 Contact resistance接触电阻:  $\leq 3.5/5\text{m}\Omega$   
 Insulation resistance/绝缘电阻: 5000M $\Omega$  (测试电压500V (DC))  
 Withstand voltage/耐电压: 1050V (AC)  
 Rated working current额定工作电流: 15.0/6.0A

Other Specification/其它规格:

Contact PIN/接触体: Gold plated Tin bronze/锡青铜镀金  
 Housing Material/外壳材质: Chrome plated brass/铜镀珍珠铬  
 Other metal spare parts/其余金属件: Nickel plated brass/铜镀镍  
 Insulator material/绝缘材料: PPS  
 IP Rating/防护等级: IP68(头座插合)

\*ALL MATERIALS ARE RoHS COMPLIANT/所有材料均符合RoHS要求.



DRAWN BY: 绘图: Z01 2024. 6. 20		 美易连电子科技(深圳)有限公司 Meiyilian electronic technology (shenzhen) Co. Ltd.		名称		3T-TH直式插头(带护套式尾帽) 3T-TH Straight plug (with jacketed tail cap)
CHECKED BY: 审核: Z01 2024. 6. 20				UNTT: mm		
APPROVED BY: 核准: PDO5 2024. 6. 20				比例 SCALE: 1: 1		型号
GENERAL TOLERANCE (UNLESS SPECIFIED)		FIRST ANGLE PROJECTION		PART NAME		
≤10 ±0.1 <10~≤20 ±0.15 <20~≤50 ±0.3 Angle ±1°		SIZE: A4		SHEET: 1 OF 1		
REVI/版本		A1				