

1) Product main performance/产品主要性能指标:

Operating Temperature/工作温度 : -55℃~200℃
 Humidity(max)/最大潮湿 : <=95% [at 60 deg C / 140 F]
 Shielding /屏蔽性能 : 75dB(10MHz) 40dB(1GHz)
 Salt Spray Corrosion/盐雾 : 96hr
 P op (max)/最大环境压力 : 60 bar (870 psi)

Mechanical data/机械特性:

Vibration/振动 : 15g[10Hz~2000Hz]
 Shock Resistance/冲击 : 100g[6ms]
 Endurance (Shell)/机械寿命 : 5000次
 Cable/配接电缆: $\phi 5.1\text{mm}-\phi 6.0\text{mm}$

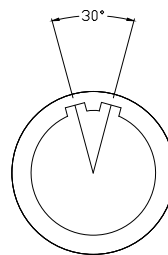
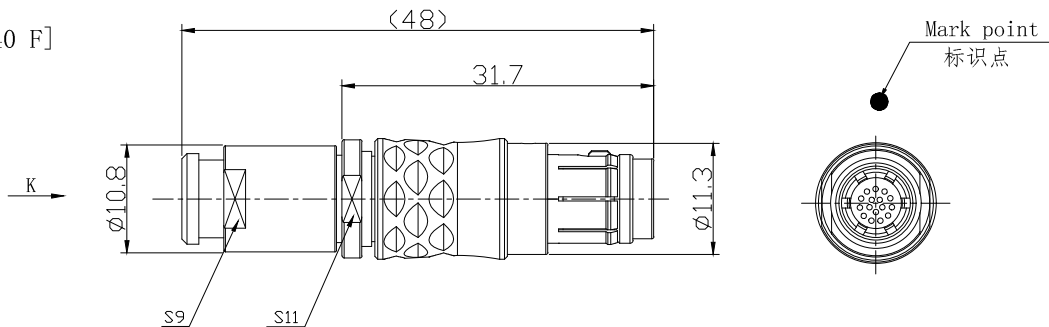
2. 电气性能

Insert Configuration/针芯配置: 1T. 316 16Low Voltage
 Pin Size/接触件直径: $\phi 0.5\text{mm}$
 Contact resistance接触电阻: $\leq 15\text{m}\Omega$
 Insulation resistance/绝缘电阻: 5000M Ω (测试电压500V(DC))
 Withstand voltage/耐电压: 750V(AC)
 Rated working current额定工作电流: 1.5A

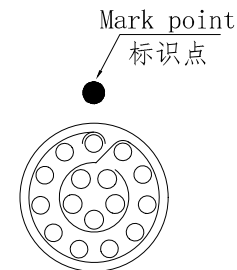
Other Specification/其它规格:

Contact PIN/接触体: Gold plated Tin bronze/锡青铜镀金
 Housing Material/外壳材质: Chrome plated brass/铜镀珍珠铬
 Other metal spare parts/其余金属件: Nickel plated brass/铜镀镍
 Insulator material/绝缘材料: PPS
 IP Rating/防护等级: IP68(插合状态)


*ALL MATERIALS ARE RoHS COMPLIANT/所有材料均符合RoHS要求.



Plug front view
插头前视图



view K
K向孔位排列

DRAWN BY: 绘图: Z01 2024. 6. 20		 美易连电子科技(深圳)有限公司 Meiyilian electronic technology(shenzhen)Co. Ltd.		名称 PART NAME		1T-TG直式插头 1T-TG Straight plug			
CHECKED BY: 审核: Z01 2024. 6. 20				单位 UNT: mm		比例 SCALE: 1: 1		型号 PART NAME	
APPROVED BY: 核准: P005 2024. 6. 20				FIRST ANGLE PROJECTION		SIZE: A4		TGA. 1T. 316. CLAC62Z	
GENERAL TOLERANCE (UNLESS SPECIFIED)		REV/版本		A1		SHEET: 1 OF 1			
≤10 ±0.1									
<10° ≤20 ±0.15									
<20° ≤50 ±0.3									
Angle ±1°									