

1) Product main performance/产品主要性能指标:

Operating Temperature/工作温度 : -55°C~200°C
 Humidity(max)/最大潮湿 : <=95% [at 60 deg C / 140 F]
 Shielding /屏蔽性能 : 75dB(10MHz) 40dB(1GHz)
 Salt Spray Corrosion/盐雾 : 96hr
 P op (max)/最大环境压力 : 60 bar (870 psi)

Mechanical data/机械特性:

Vibration/振动 : 15g[10Hz~2000Hz]
 Shock Resistance/冲击 : 100g[6ms]
 Endurance (Shell)/机械寿命 : 5000次
 Cable/配接电缆: ϕ 11.1mm- ϕ 12.0mm

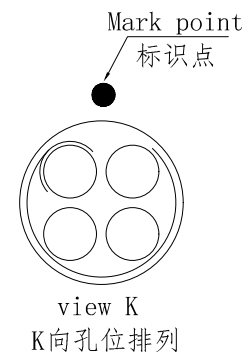
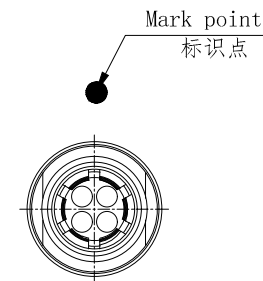
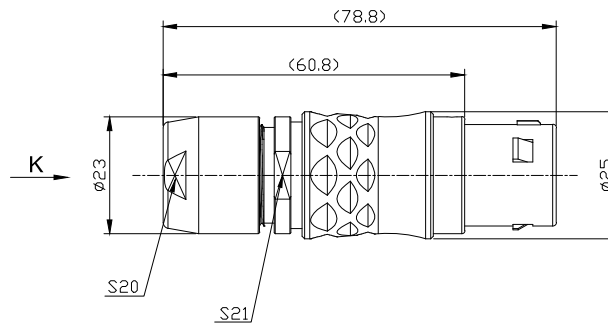
2. 电气性能

Insert Configuration/针芯配置: 4B.304 4Low Voltage
 Pin Size/接触件直径: ϕ 3.0mm
 Contact resistance接触电阻: \leq 3m Ω
 Insulation resistance/绝缘电阻: 5000M Ω (测试电压500V(DC))
 Withstand voltage/耐电压: 1000V(AC)
 Rated working current额定工作电流: 30.0A

Other Specification/其它规格:

Contact PIN/接触体: Gold plated Tin bronze/锡青铜镀金
 Housing Material/外壳材质: Chrome plated brass/铜镀珍珠铬
 Other metal spare parts/其余金属件: Nickel plated brass/铜镀镍
 Insulator material/绝缘材料: PPS
 IP Rating/防护等级: IP50

*ALL MATERIALS ARE RoHS COMPLIANT/所有材料均符合RoHS要求.



REV/版本	DESCRIPTION/变更内容	DATE/日期	DRAWN BY/绘图

DRAWN BY: 绘图: P003 2024.05.28 CHECKED BY: 审核: Z01 2024.05.28 APPROVED BY: 核准: P005 2024.05.28		单位 UNIT: mm		名称 PART NAME 4B-TG直式插头 (不带护套式尾帽) 4B-TG Straight plug (without jacketed tail cap)
GENERAL TOLERANCE (UNLESS SPECIFIED) $\leq 10 \pm 0.1$ $< 10 \sim \leq 20 \pm 0.15$ $< 20 \sim \leq 50 \pm 0.3$ Angle $\pm 1^\circ$		比例 SCALE: 1: 1	型号 PART NAME TGG. 4B. 304. CLAD122	
FIRST ANGLE PROJECTION	REV/版本 A1	SIZE: A4 SHEET: 1 OF 1	单位 UNIT: mm	名称 PART NAME 4B-TG直式插头 (不带护套式尾帽) 4B-TG Straight plug (without jacketed tail cap)

		美易连电子科技(深圳)有限公司 Meiyilian electronic technology(shenzhen)Co.,Ltd.	
REV/版本 A1	SIZE: A4 SHEET: 1 OF 1	单位 UNIT: mm	名称 PART NAME 4B-TG直式插头 (不带护套式尾帽) 4B-TG Straight plug (without jacketed tail cap)
REV/版本 A1	SIZE: A4 SHEET: 1 OF 1	单位 UNIT: mm	名称 PART NAME 4B-TG直式插头 (不带护套式尾帽) 4B-TG Straight plug (without jacketed tail cap)