

REV/版本	DESCRIPTION/变更内容	DATE/日期	DRAWN BY/绘图

1) Product main performance/产品主要性能指标:

Operating Temperature/工作温度 : -55°C~200°C
Humidity(max)/最大潮湿 : <=95% [at 60 deg C / 140 F]
Shielding /屏蔽性能 : 75dB(10MHz) 40dB(1GHz)
Salt Spray Corrosion/盐雾 : 96hr
P op (max)/最大环境压力 : 60 bar (870 psi)

Mechanical data/机械特性:

Vibration/振动 : 15g[10Hz~2000Hz]
Shock Resistance/冲击 : 100g[6ms]
Endurance (Shell)/机械寿命 : 5000次
Cable/配接电缆: $\phi 1.4\text{mm}-\phi 2.3\text{mm}$

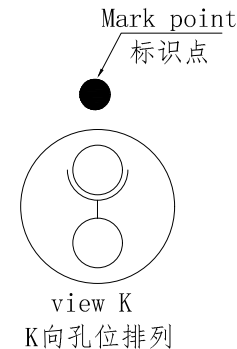
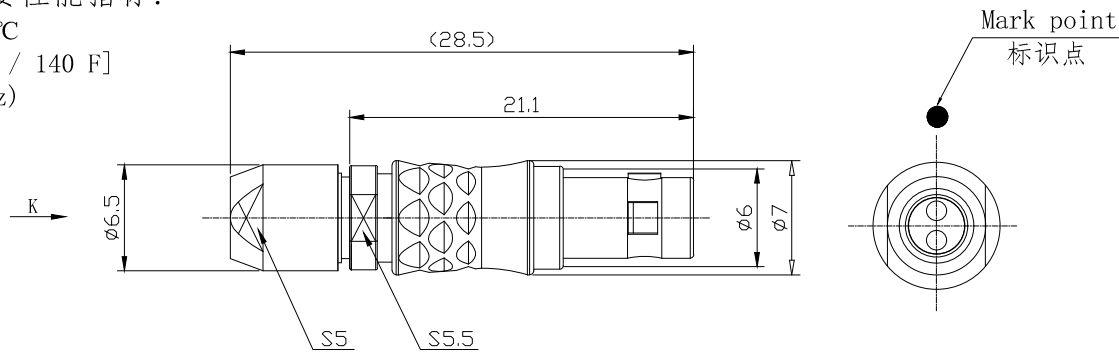
2. 电气性能

Insert Configuration/针芯配置:00B.302 2Low Voltage
Pin Size/接触件直径: $\phi 0.5\text{mm}$
Contact resistance接触电阻: $\leq 15\text{m}\Omega$
Insulation resistance/绝缘电阻:5000M Ω (测试电压500V(DC))
Withstand voltage/耐电压:950V(AC)
Rated working current额定工作电流:5.0A

Other Specification/其它规格:

Contact PIN/接触体: Gold plated Tin bronze/锡青铜镀金
Housing Material/外壳材质: Chrome plated brass/铜镀珍珠铬
Other metal spare parts/其余金属件: Nickel plated brass/铜镀镍
Insulator material/绝缘材料: PPS
IP Rating/防护等级: IP50

*ALL MATERIALS ARE RoHS COMPLIANT/所有材料均符合RoHS要求.

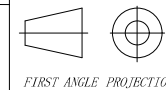


DRAWN BY:
绘图:PDO3 2024.05.28
CHECKED BY:
审核:Z01 2024.05.28
APPROVED BY:
核准:PDO5 2024.05.28



美易连电子科技(深圳)有限公司
Meiyilian electronic technology(shenzhen)Co.,Ltd.

GENERAL TOLERANCE
(UNLESS SPECIFIED)
 $\leq 10 \pm 0.1$
 $< 10^\circ \leq 20 \pm 0.15$
 $< 20^\circ \leq 50 \pm 0.3$
Angle $\pm 1^\circ$



单位
UNIT: mm
比例
SCALE: 1: 1
SIZE: A4

名称
PART NAME
00B-TG直式插头(不带护套式尾帽)
00B-TG Straight plug
(without jacketed tail cap)

REV/版本 A1

SHEET:1 OF 1

型号
PART NAME
TGG.00B.302.CLAD25