

1) Product main performance/产品主要性能指标:

Operating Temperature/工作温度: $-55^{\circ}\text{C} \sim 200^{\circ}\text{C}$
 Humidity(max)/最大潮湿: $\leq 95\%$ [at 60 deg C / 140 F]
 Shielding /屏蔽性能: 75dB(10MHz) 40dB(1GHz)
 Salt Spray Corrosion/盐雾: 96hr
 P op (max)/最大环境压力: 60 bar (870 psi)

Mechanical data/机械特性:

Vibration/振动: 15g[10Hz~2000Hz]
 Shock Resistance/冲击: 100g[6ms]
 Endurance (Shell)/机械寿命: 5000次
 Cable/配接电缆: $\phi 2.1\text{mm} - \phi 3.0\text{mm}$

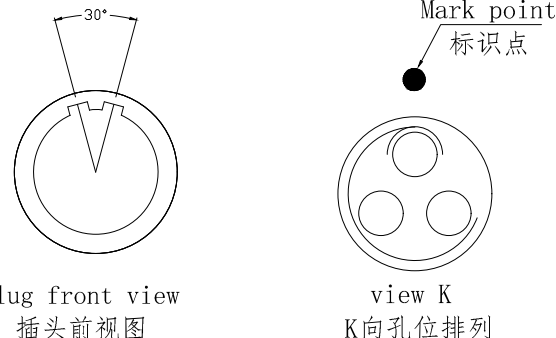
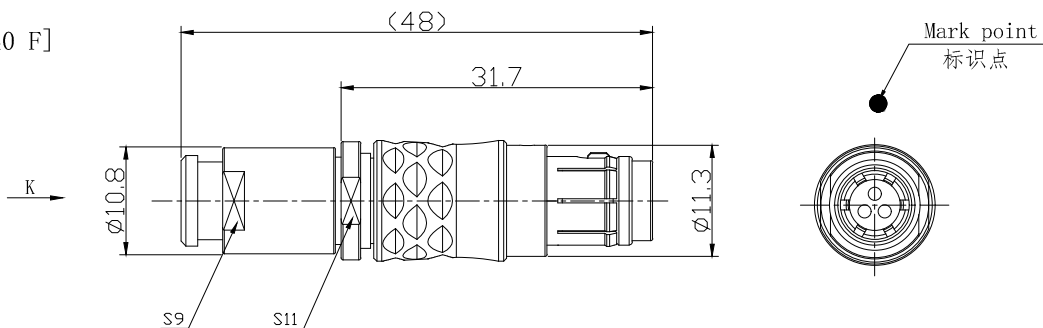
2. 电气性能


Insert Configuration/针芯配置: 1T.303 3Low Voltage
 Pin Size/接触件直径: $\phi 1.3\text{mm}$
 Contact resistance接触电阻: $\leq 5\text{m}\Omega$
 Insulation resistance/绝缘电阻: 5000M Ω (测试电压500V(DC))
 Withstand voltage/耐电压: 1000V(AC)
 Rated working current额定工作电流: 12.0A

Other Specification/其它规格:

Contact PIN/接触体: Gold plated Tin bronze/锡青铜镀金
 Housing Material/外壳材质: Chrome plated brass/铜镀珍珠铬
 Other metal spare parts/其余金属件: Nickel plated brass/铜镀镍
 Insulator material/绝缘材料: PPS
 IP Rating/防护等级: IP68(插入状态)

*ALL MATERIALS ARE RoHS COMPLIANT/所有材料均符合RoHS要求.



DRAWN BY: 绘图: Z01 2024. 6. 20		 美易连 Meiyilian electronic technology (shenzhen) Co. Ltd.		名称 PART NAME		1T-TG直式插头 IT-TG Straight plug			
CHECKED BY: 审核: Z01 2024. 6. 20				比例 SCALE: 1: 1		型号 PART NAME		TGA. 1T. 303. CLAC32Z	
APPROVED BY: 核准: PDO5 2024. 6. 20				FIRST ANGLE PROJECTION		SIZE: A4		SHEET: 1 OF 1	
GENERAL TOLERANCE (UNLESS SPECIFIED)		REV/版本		A1					
$\leq 10 \pm 0.1$									
$< 10^{\circ} \leq 20^{\circ} \pm 0.15$									
$< 20^{\circ} \leq 50^{\circ} \pm 0.3$									
Angle $\pm 1^{\circ}$									