

1) Product main performance/产品主要性能指标:

Operating Temperature/工作温度 : -55°C~200°C  
 Humidity(max)/最大潮湿 : <=95% [at 60 deg C / 140 F]  
 Shielding /屏蔽性能 : 75dB(10MHz) 40dB(1GHz)  
 Salt Spray Corrosion/盐雾 : 96hr  
 P op (max)/最大环境压力 : 60 bar (870 psi)

Mechanical data/机械特性:

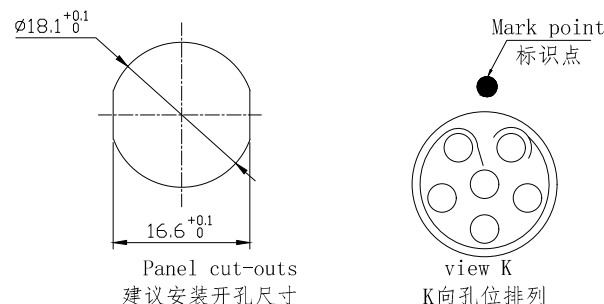
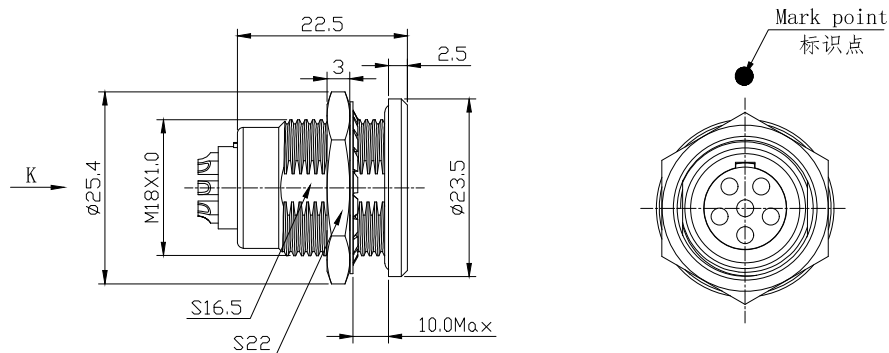
Vibration/振动 : 15g[10Hz~2000Hz]  
 Shock Resistance/冲击 : 100g[6ms]  
 Endurance (Shell)/机械寿命 : 5000次

2. 电气性能

Insert Configuration/针芯配置:3T.306 6Low Voltage  
 Pin Size/接触件直径:φ1.6mm  
 Contact resistance接触电阻:≤4mΩ  
 Insulation resistance/绝缘电阻:5000MΩ (测试电压500V(DC))  
 Withstand voltage/耐电压:1150V(AC)  
 Rated working current额定工作电流:17.0A


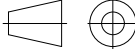
Other Specification/其它规格:

Contact PIN/接触体: Gold plated Tin bronze/锡青铜镀金  
 Housing Material/外壳材质: Chrome plated brass/铜镀珍珠铬  
 Other metal spare parts/其余金属件: Nickel plated brass/铜镀镍  
 Insulator material/绝缘材料: PPS  
 IP Rating/防护等级: IP68(头座插合)  
 \*ALL MATERIALS ARE RoHS COMPLIANT/所有材料均符合RoHS要求.



Panel cut-outs  
建议安装开孔尺寸

view K  
K向孔位排列

|   |  |   |   |
|---|--|---|---|
| DRAWN BY:<br>绘图: Z01<br>2024. 6. 20<br>CHECKED BY:<br>审核: Z01<br>2024. 6. 20<br>APPROVED BY:<br>核准: PD05<br>2024. 6. 20 |  美易连电子科技(深圳)有限公司<br>Meiyilian electronic technology(shenzhen)Co. Ltd. |   |   |
| GENERAL TOLERANCE<br>(UNLESS SPECIFIED)<br>≤10 ±0.1<br><10°≤20 ±0.15<br><20°≤50 ±0.3<br>Angle ±1°                       | <br>FIRST ANGLE PROJECTION  | 单位<br>UNT: mm   | 名称<br>PART NAME<br>3T-ZG固定式插座<br>3T-ZG Fixed socket |
|   |  | 比例<br>SCALE: 1: 1<br>型号<br>PART NAME<br>ZGG. 3T. 306. CLL | 尺寸<br>SIZE: A4<br>图号<br>SHEET: 1 OF 1               |
| REV/版本<br>A1  |  |   |   |