

1	2	3	4	5	6	7	8
REV/版本		DESCRIPTION/变更内容			DATE/日期		DRAWN BY/绘图

1) Product main performance/产品主要性能指标:

Operating Temperature/工作温度 : -55°C~200°C
 Humidity(max)/最大潮湿 : <=95% [at 60 deg C / 140 F]
 Shielding /屏蔽性能 : 75dB(10MHz) 40dB(1GHz)
 Salt Spray Corrosion/盐雾 : 96hr
 P op (max)/最大环境压力 : 60 bar (870 psi)

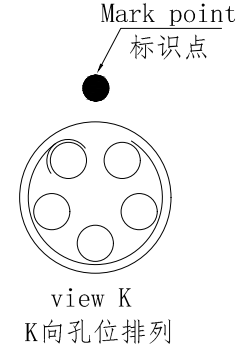
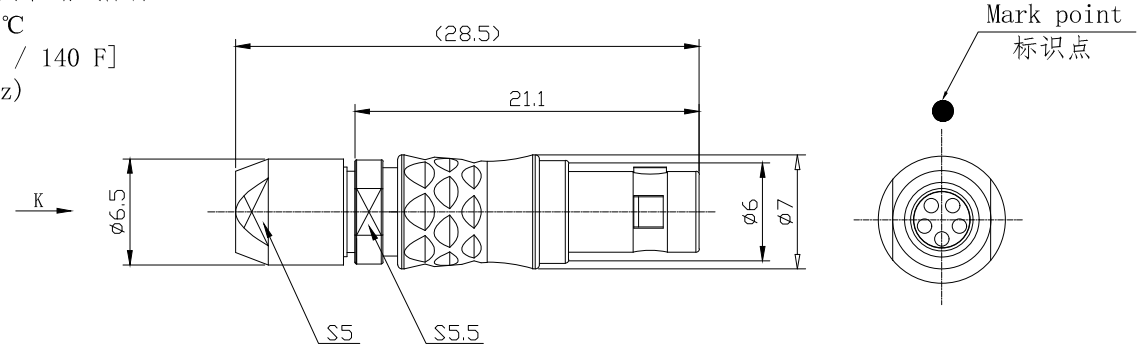
Mechanical data/机械特性:
 Vibration/振动 : 15g[10Hz~2000Hz]
 Shock Resistance/冲击 : 100g[6ms]
 Endurance (Shell)/机械寿命 : 5000次
 Cable/配接电缆: Ø2.1mm-Ø3.0mm

2. 电气性能

Insert Configuration/针芯配置: 00B.305 5Low Voltage
 Pin Size/接触件直径: Ø0.35mm
 Contact resistance接触电阻: ≤20mΩ
 Insulation resistance/绝缘电阻: 5000MΩ (测试电压500V(DC))
 Withstand voltage/耐电压: 700V(AC)
 Rated working current额定工作电流: 1.7A

Other Specification/其它规格:

Contact PIN/接触体: Gold plated Tin bronze/锡青铜镀金
 Housing Material/外壳材质: Chrome plated brass/铜镀珍珠铬
 Other metal spare parts/其余金属件: Nickel plated brass/铜镀镍
 Insulator material/绝缘材料: PPS
 IP Rating/防护等级: IP50
 *ALL MATERIALS ARE RoHS COMPLIANT/所有材料均符合RoHS要求.

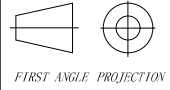


DRAWN BY: 绘图: PD03 2024.05.28
 CHECKED BY: 审核: Z01 2024.05.28
 APPROVED BY: 核准: PD05 2024.05.28



美易连电子科技(深圳)有限公司
 Meiyilian electronic technology(shenzhen)Co.,Ltd.

GENERAL TOLERANCE (UNLESS SPECIFIED)
 ≤10 ±0.1
 <10~≤20 ±0.15
 <20~≤50 ±0.3
 Angle ±1°



单位 UNTT: mm	名称 PART NAME	00B-TG直式插头(不带护套式尾帽) 00B-TG Straight plug (without jacketed tail cap)
比例 SCALE: 1: 1	型号 PART NAME	TGG. 00B. 305. CLAD32
SIZE: A4		
REV/版本 A1	SHEET: 1 OF 1	