

| REV/版本 | DESCRIPTION/变更内容 | DATE/日期 | DRAWN BY/绘图 |
|--------|------------------|---------|-------------|
|        |                  |         |             |

1) Product main performance/产品主要性能指标:

Operating Temperature/工作温度 : -55℃~200℃  
 Humidity(max)/最大潮湿 : <=95% [at 60 deg C / 140 F]  
 Shielding /屏蔽性能 : 75dB(10MHz) 40dB(1GHz)  
 Salt Spray Corrosion/盐雾 : 96hr  
 P op (max)/最大环境压力 : 60 bar (870 psi)

Mechanical data/机械特性:

Vibration/振动 : 15g[10Hz~2000Hz]  
 Shock Resistance/冲击 : 100g[6ms]  
 Endurance (Shell)/机械寿命 : 5000次  
 Cable/配接电缆: Ø3.1mm-Ø4.0mm

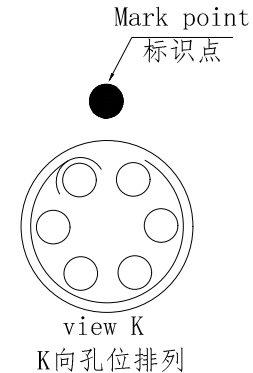
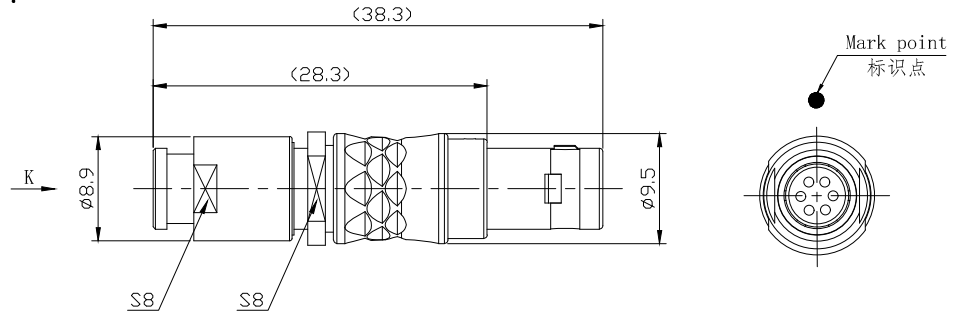
2. 电气性能


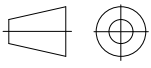
Insert Configuration/针芯配置:0B.306 6Low Voltage  
 Pin Size/接触件直径:Ø0.5mm  
 Contact resistance接触电阻: ≤15mΩ  
 Insulation resistance/绝缘电阻:5000MΩ (测试电压500V(DC))  
 Withstand voltage/耐电压:500V(AC)  
 Rated working current额定工作电流:2.5A

Other Specification/其它规格:

Contact PIN/接触体: Gold plated Tin bronze/锡青铜镀金  
 Housing Material/外壳材质: Chrome plated brass/铜镀珍珠铬  
 Other metal spare parts/其余金属件: Nickel plated brass/铜镀镍  
 Insulator material/绝缘材料: PPS  
 IP Rating/防护等级: IP50

\*ALL MATERIALS ARE RoHS COMPLIANT/所有材料均符合RoHS要求.



|   |  |   |  |
|---|--|---|--|
| DRAWN BY:<br>绘图: P003    2024.05.28<br>CHECKED BY:<br>审核: Z01    2024.05.28<br>APPROVED BY:<br>核准: P005    2024.05.28 |  <b>美易连电子科技(深圳)有限公司</b><br>Meiyilian electronic technology (shenzhen) Co., Ltd. |   |  |
| <b>GENERAL TOLERANCE (UNLESS SPECIFIED)</b><br>≤10 ±0.1<br><10~≤20 ±0.15<br><20~≤50 ±0.3<br>AngIε ±1°                 | <br>FIRST ANGLE PROJECTION  | 单位<br>UNT: mm<br>比例<br>SCALE: 1: 1<br>名称<br>PART NAME | 0B-TG直式插头(带护套式尾帽)<br>0B-TG Straight plug<br>(with jacketed tail cap) |
|   | REV/版本    A1<br>SHEET: 1 OF 1  | 型号<br>PART NAME                                       | <b>TGG.0B.306.CLAD42Z</b>  |