

1) Product main performance/产品主要性能指标:

Operating Temperature/工作温度:  $-55^{\circ}\text{C} \sim 200^{\circ}\text{C}$   
 Humidity(max)/最大潮湿:  $<=95\%$  [at  $60 \text{ deg C} / 140 \text{ F}$ ]  
 Shielding /屏蔽性能:  $75\text{dB}(10\text{MHz}) \quad 40\text{dB}(1\text{GHz})$   
 Salt Spray Corrosion/盐雾: 96hr  
 P op (max)/最大环境压力: 60 bar (870 psi)

Mechanical data/机械特性:

Vibration/振动:  $15\text{g}[10\text{Hz} \sim 2000\text{Hz}]$   
 Shock Resistance/冲击:  $100\text{g}[6\text{ms}]$   
 Endurance (Shell)/机械寿命: 5000次  
 Cable/配接电缆:  $\phi 2.1\text{mm} - \phi 3.0\text{mm}$

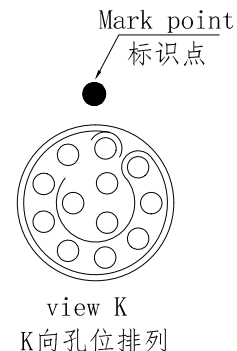
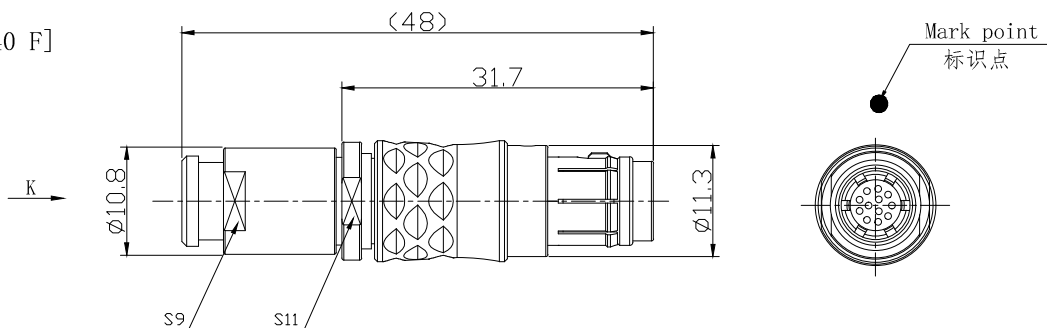
2. 电气性能

Insert Configuration/针芯配置: 1T. 312 12Low Voltage  
 Pin Size/接触件直径:  $\phi 0.5\text{mm}$   
 Contact resistance接触电阻:  $\leq 15\text{m}\Omega$   
 Insulation resistance/绝缘电阻:  $5000\text{M}\Omega$  (测试电压 $500\text{V}(\text{DC})$ )  
 Withstand voltage/耐电压:  $750\text{V}(\text{AC})$   
 Rated working current额定工作电流:  $2.0\text{A}$


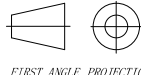
Other Specification/其它规格:

Contact PIN/接触体: Gold plated Tin bronze/锡青铜镀金  
 Housing Material/外壳材质: Chrome plated brass/铜镀珍珠铬  
 Other metal spare parts/其余金属件: Nickel plated brass/铜镀镍  
 Insulator material/绝缘材料: PPS  
 IP Rating/防护等级: IP68(插合状态)

\*ALL MATERIALS ARE RoHS COMPLIANT/所有材料均符合RoHS要求.



view K  
K向孔位排列

DRAWN BY: 绘图: Z01      2024. 6. 20 CHECKED BY: 审核: Z01      2024. 6. 20 APPROVED BY: 核准: PD05      2024. 6. 20		 美易连电子科技(深圳)有限公司 Meiyilian electronic technology(shenzhen)Co. Ltd.		单位 UNIT: mm		名称 PART NAME	
GENERAL TOLERANCE (UNLESS SPECIFIED) $\leq 10 \quad \pm 0.1$ $< 10^{\circ} \leq 20 \quad \pm 0.15$ $< 20^{\circ} \leq 50 \quad \pm 0.3$ AngIc $\pm 1^{\circ}$				 FIRST ANGLE PROJECTION		比例 SCALE: 1: 1	
REV/版本      A1		SHEET: 1 OF 1		1T-TG直式插头 1T-TG Straight plug		TGG. 1T. 312. CLAC32Z	