

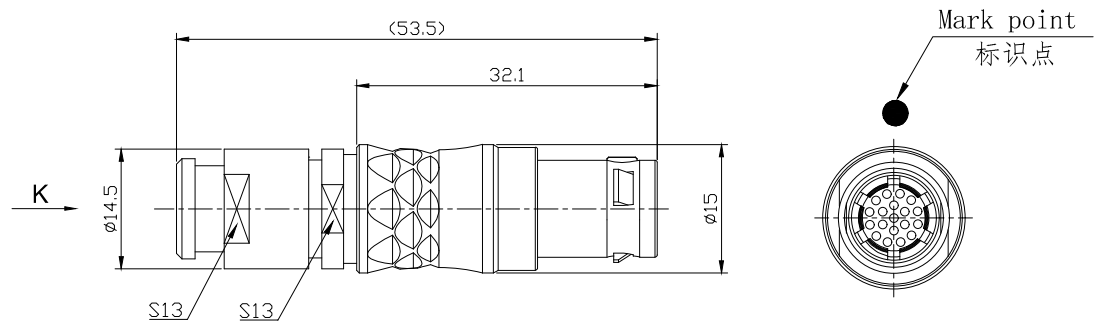
REV/版本	DESCRIPTION/变更内容	DATE/日期	DRAWN BY/绘图

1) Product main performance/产品主要性能指标:

Operating Temperature/工作温度: $-55^{\circ}\text{C} \sim 200^{\circ}\text{C}$
Humidity(max)/最大潮湿: $\leq 95\%$ [at 60 deg C / 140 F]
Shielding /屏蔽性能: 75dB(10MHz) 40dB(1GHz)
Salt Spray Corrosion/盐雾: 96hr
P op (max)/最大环境压力: 60 bar (870 psi)

Mechanical data/机械特性:

Vibration/振动: 15g[10Hz~2000Hz]
Shock Resistance/冲击: 100g[6ms]
Endurance (Shell)/机械寿命: 5000次
Cable/配接电缆: $\phi 3.4\text{mm} - \phi 4.3\text{mm}$

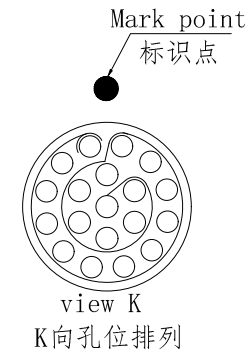


2. 电气性能

Insert Configuration/针芯配置: 2B.319 19Low Voltage
Pin Size/接触件直径: $\phi 0.7\text{mm}$
Contact resistance接触电阻: $\leq 12.5\text{m}\Omega$
Insulation resistance/绝缘电阻: $5000\text{M}\Omega$ (测试电压500V(DC))
Withstand voltage/耐电压: 950V(AC)
Rated working current额定工作电流: 5.0A

Other Specification/其它规格:

Contact PIN/接触体: Gold plated Tin bronze/锡青铜镀金
Housing Material/外壳材质: Chrome plated brass/铜镀珍珠铬
Other metal spare parts/其余金属件: Nickel plated brass/铜镀镍
Insulator material/绝缘材料: PPS
IP Rating/防护等级: IP50
*ALL MATERIALS ARE RoHS COMPLIANT/所有材料均符合RoHS要求.

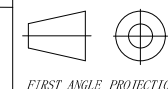


DRAWN BY:
绘图: P003 2024.05.28
CHECKED BY:
审核: Z01 2024.05.28
APPROVED BY:
核准: P005 2024.05.28



美易连电子科技(深圳)有限公司
Meiyilian electronic technology(shenzhen)Co.,Ltd.

GENERAL TOLERANCE
(UNLESS SPECIFIED)
 $\leq 10 \pm 0.1$
 $< 10 \sim \leq 20 \pm 0.15$
 $< 20 \sim \leq 50 \pm 0.3$
Angle $\pm 1^{\circ}$



单位
UNT: mm
比例
SCALE: 1: 1
名称
PART NAME

型号
PART NAME

2B-TG直式插头(带护套式尾帽)
2B-TG Straight plug
(with jacketed tail cap)

TGG. 2B. 319. CLAD45Z

REV/版本 A1

SHEET: 1 OF 1