

1) Product main performance/产品主要性能指标:

Operating Temperature/工作温度: $-55^{\circ}\text{C} \sim 200^{\circ}\text{C}$

Humidity(max)/最大潮湿: $\leq 95\%$ [at $60^{\circ}\text{C} / 140^{\circ}\text{F}$]

Shielding /屏蔽性能: $75\text{dB}(10\text{MHz}) \quad 40\text{dB}(1\text{GHz})$

Salt Spray Corrosion/盐雾: 96hr

P op (max)/最大环境压力: 60 bar (870 psi)

Mechanical data/机械特性:

Vibration/振动: $15\text{g}[10\text{Hz} \sim 2000\text{Hz}]$

Shock Resistance/冲击: $100\text{g}[6\text{ms}]$

Endurance (Shell)/机械寿命: 5000次

Cable/配接电缆: $\phi 3.1\text{mm} - \phi 4.0\text{mm}$

2. 电气性能

Insert Configuration/针芯配置: 1T.306 6Low Voltage

Pin Size/接触件直径: $\phi 0.7\text{mm}$

Contact resistance接触电阻: $\leq 12.5\text{m}\Omega$

Insulation resistance/绝缘电阻: $5000\text{M}\Omega$ (测试电压 $500\text{V}(\text{DC})$)

Withstand voltage/耐电压: $875\text{V}(\text{AC})$

Rated working current额定工作电流: 7.0A

Other Specification/其它规格:

Contact PIN/接触体: Gold plated Tin bronze/锡青铜镀金

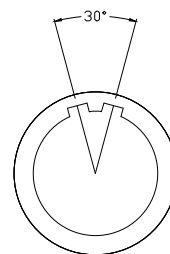
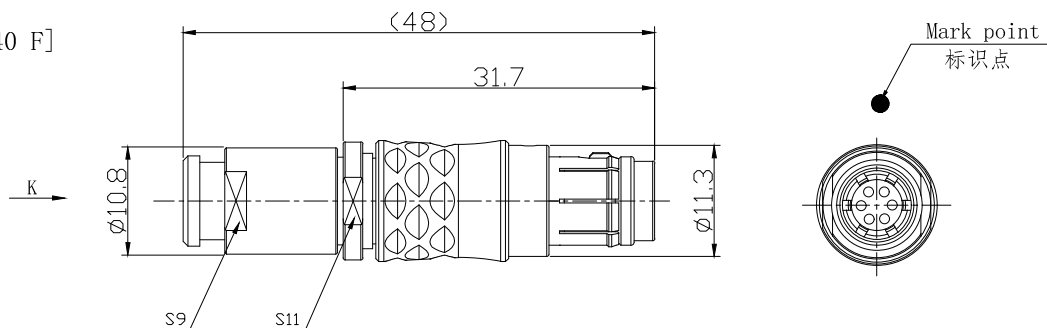
Housing Material/外壳材质: Chrome plated brass/铜镀珍珠铬

Other metal spare parts/其余金属件: Nickel plated brass/铜镀镍

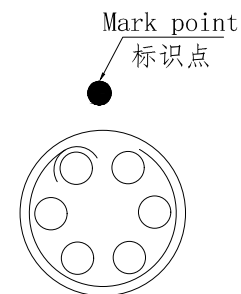
Insulator material/绝缘材料: PPS

IP Rating/防护等级: IP68(插合状态)

*ALL MATERIALS ARE RoHS COMPLIANT/所有材料均符合RoHS要求.



Plug front view
插头前视图



view K
K向孔位排列

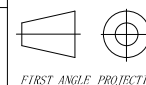
DRAWN BY:
绘图: Z01 2024. 6. 20
CHECKED BY:
审核: Z01 2024. 6. 20
APPROVED BY:
核准: PD05 2024. 6. 20



美易连电子科技(深圳)有限公司
Meiyilian electronic technology(shenzhen)Co. Ltd.

GENERAL TOLERANCE
(UNLESS SPECIFIED)

$\leq 10 \pm 0.1$
 $< 10^{\circ} \leq 20 \pm 0.15$
 $< 20^{\circ} \leq 50 \pm 0.3$
Angle $\pm 1^{\circ}$



FIRST ANGLE PROJECTION

REV/版本 A1

单位
UNIT: mm

比例
SCALE: 1: 1

SIZE: A4

SHEET: 1 OF 1

名称
PART NAME

型号
PART NAME

1T-TG直式插头
1T-TG Straight plug
TGA. 1T. 306. CLAC42Z