

1) Product main performance/产品主要性能指标:

Operating Temperature/工作温度: $-55^{\circ}\text{C} \sim 200^{\circ}\text{C}$
 Humidity(max)/最大潮湿: $\leq 95\%$ [at 60 deg C / 140 F]
 Shielding /屏蔽性能: 75dB(10MHz) 40dB(1GHz)
 Salt Spray Corrosion/盐雾: 96hr
 P op (max)/最大环境压力: 60 bar (870 psi)

Mechanical data/机械特性:

Vibration/振动: 15g[10Hz~2000Hz]
 Shock Resistance/冲击: 100g[6ms]
 Endurance (Shell)/机械寿命: 5000次
 Cable/配接电缆: $\phi 2.4\text{mm} - \phi 3.3\text{mm}$

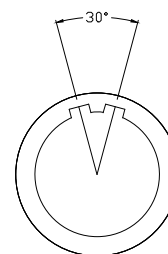
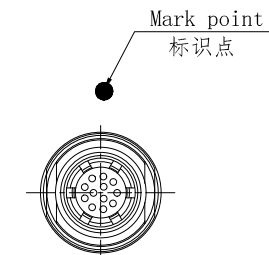
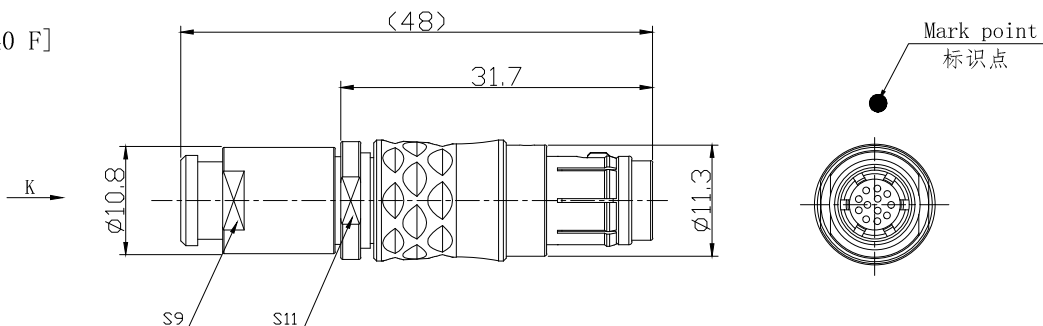
2. 电气性能

Insert Configuration/针芯配置: 1T.312 12Low Voltage
 Pin Size/接触件直径: $\phi 0.5\text{mm}$
 Contact resistance接触电阻: $\leq 15\text{m}\Omega$
 Insulation resistance/绝缘电阻: 5000M Ω (测试电压500V(DC))
 Withstand voltage/耐电压: 750V(AC)
 Rated working current额定工作电流: 2.0A

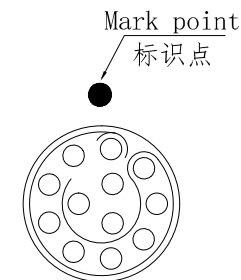
Other Specification/其它规格:

Contact PIN/接触体: Gold plated Tin bronze/锡青铜镀金
 Housing Material/外壳材质: Chrome plated brass/铜镀珍珠铬
 Other metal spare parts/其余金属件: Nickel plated brass/铜镀镍
 Insulator material/绝缘材料: PPS
 IP Rating/防护等级: IP68(插合状态)


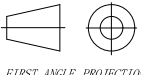
*ALL MATERIALS ARE RoHS COMPLIANT/所有材料均符合RoHS要求.



Plug front view
插头前视图



view K
K向孔位排列

| | | | | | | | | | |
|---|--|--|--|-------------------|--|---------------|--|-----------------------|--|
| DRAWN BY: 绘图: Z01 2024. 6. 20 | |  美易连电子科技(深圳)有限公司 Meiyilian electronic technology(shenzhen)Co. Ltd. | | 名称 | | 1T-TG直式插头 | | | |
| CHECKED BY: 审核: Z01 2024. 6. 20 | | | | UNIT: mm | | PART NAME | | 1T-TG Straight plug | |
| APPROVED BY: 核准: PD05 2024. 6. 20 | | | | 比例 SCALE: 1: 1 | | 型号 | | TGA. 1T. 312. CLAC35Z | |
| GENERAL TOLERANCE (UNLESS SPECIFIED) | | FIRST ANGLE PROJECTION | | REV/版本 | | SHEET: 1 OF 1 | | | |
| $\leq 10 \pm 0.1$ $< 10^{\circ} \leq 20 \pm 0.15$ $< 20^{\circ} \leq 50 \pm 0.3$ Angle $\pm 1^{\circ}$ | |  | | A1 | | | | | |