

1) Product main performance/产品主要性能指标:

Operating Temperature/工作温度 : -55°C~200°C
 Humidity(max)/最大潮湿 : <=95% [at 60 deg C / 140 F]
 Shielding /屏蔽性能 : 75dB(10MHz) 40dB(1GHz)
 Salt Spray Corrosion/盐雾 : 96hr
 P op (max)/最大环境压力 : 60 bar (870 psi)

Mechanical data/机械特性:

Vibration/振动 : 15g[10Hz~2000Hz]
 Shock Resistance/冲击 : 100g[6ms]
 Endurance (Shell)/机械寿命 : 5000次

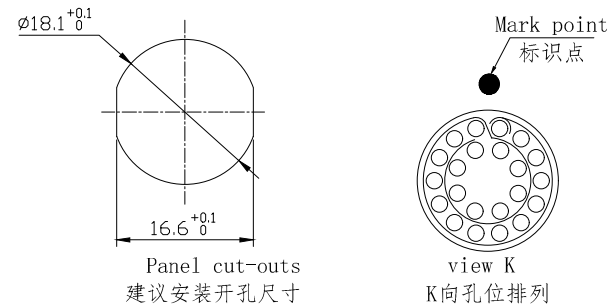
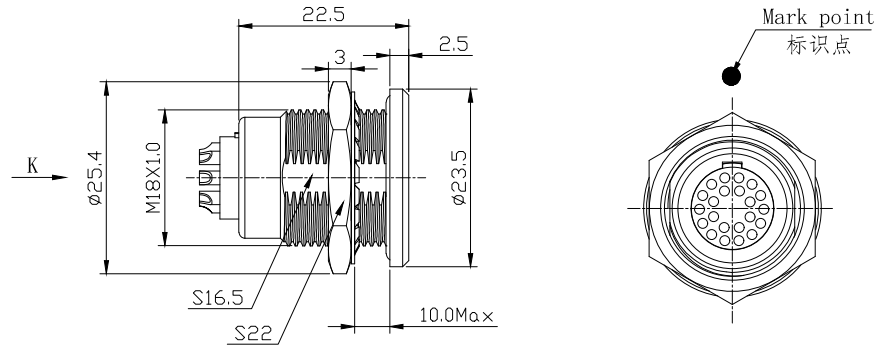
2. 电气性能



Insert Configuration/针芯配置:3T. 322 22Low Voltage
 Pin Size/接触件直径:Φ0.7mm
 Contact resistance接触电阻:≤12.5mΩ
 Insulation resistance/绝缘电阻:5000MΩ (测试电压500V(DC))
 Withstand voltage/耐电压:900V(AC)
 Rated working current额定工作电流:5.5A

Other Specification/其它规格:

Contact PIN/接触体: Gold plated Tin bronze/锡青铜镀金
 Housing Material/外壳材质: Chrome plated brass/铜镀珍珠铬
 Other metal spare parts/其余金属件: Nickel plated brass/铜镀镍
 Insulator material/绝缘材料: PPS
 IP Rating/防护等级: IP68(头座插合)

*ALL MATERIALS ARE RoHS COMPLIANT/所有材料均符合RoHS要求.



DRAWN BY: 绘图: Z01 2024. 6. 20		 美易连电子科技(深圳)有限公司 Meiyilian electronic technology(shenzhen)Co. Ltd.		名称		3T-ZG固定式插座	
CHECKED BY: 审核: Z01 2024. 6. 20				PART NAME		3T-ZG Fixed socket	
APPROVED BY: 核准: P005 2024. 6. 20				UNIT: mm		型号	
GENERAL TOLERANCE (UNLESS SPECIFIED)		 FIRST ANGLE PROJECTION		比例		SCALE: 1: 1	
≤10 ±0.1				SIZE: A4		SHEET: 1 OF 1	
<10~≤20 ±0.15		REV/版本		A1			
<20~≤50 ±0.3							
Angle ±1°							