

1) Product main performance/产品主要性能指标:

Operating Temperature/工作温度: $-55^{\circ}\text{C} \sim 200^{\circ}\text{C}$
 Humidity(max)/最大潮湿: $\leq 95\%$ [at $60 \text{ deg C} / 140 \text{ F}$]
 Shielding /屏蔽性能: $75\text{dB}(10\text{MHz}) \quad 40\text{dB}(1\text{GHz})$
 Salt Spray Corrosion/盐雾: 96hr
 P op (max)/最大环境压力: 60 bar (870 psi)

Mechanical data/机械特性:

Vibration/振动: $15\text{g}[10\text{Hz} \sim 2000\text{Hz}]$
 Shock Resistance/冲击: $100\text{g}[6\text{ms}]$
 Endurance (Shell)/机械寿命: 5000+
 Cable/配接电缆: $\phi 10.6\text{mm} - \phi 11.4\text{mm}$

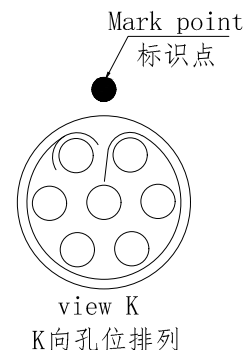
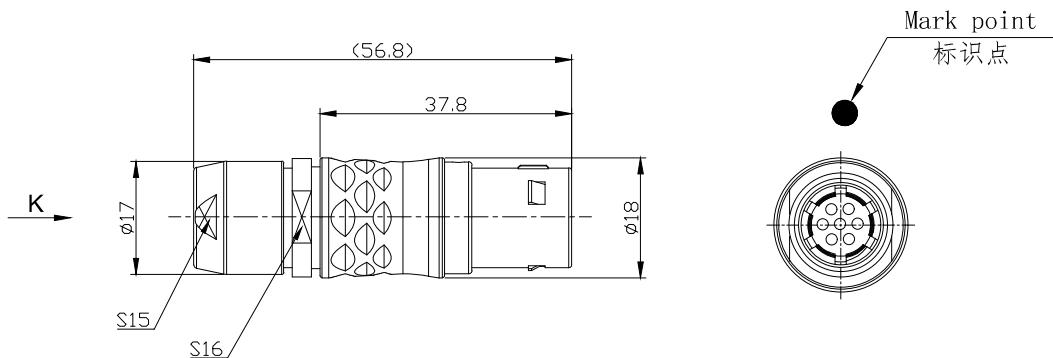
2. 电气性能

Insert Configuration/针芯配置: 3B. 307 7Low Voltage
 Pin Size/接触件直径: $\phi 1.6\text{mm}$
 Contact resistance接触电阻: $\leq 4\text{m}\Omega$
 Insulation resistance/绝缘电阻: $5000\text{M}\Omega$ (测试电压500V (DC))
 Withstand voltage/耐电压: 750V (AC)
 Rated working current额定工作电流: 15.0A


Other Specification/其它规格:

Contact PIN/接触体: Gold plated Tin bronze/锡青铜镀金
 Housing Material/外壳材质: Chrome plated brass/铜镀珍珠铬
 Other metal spare parts/其余金属件: Nickel plated brass/铜镀镍
 Insulator material/绝缘材料: PPS
 IP Rating/防护等级: IP50

*ALL MATERIALS ARE RoHS COMPLIANT/所有材料均符合RoHS要求.



REV/版本	DESCRIPTION/变更内容	DATE/日期	DRAWN BY/绘图

DRAWN BY: 绘图: PD03 2024.05.28 CHECKED BY: 审核: Z01 2024.05.28 APPROVED BY: 核准: PD05 2024.05.28		 美易连电子科技(深圳)有限公司 Meiyilian electronic technology(shenzhen)Co.,Ltd.	
GENERAL TOLERANCE (UNLESS SPECIFIED) $\leq 10 \pm 0.1$ $< 10^{\circ} \sim 20 \pm 0.15$ $< 20^{\circ} \sim 50 \pm 0.3$ Angle $\pm 1^{\circ}$		单位 UNTT: mm 比例 SCALE: 1: 1 名称 PART NAME 3B-TG直式插头(不带护套式尾帽) 3B-TG Straight plug (without jacketed tail cap)	型号 PART NAME TGG. 3B. 307. CLAD116
FIRST ANGLE PROJECTION	SIZE: A4 SHEET: 1 OF 1	REV/版本 A1	https://www.mylconnector.com/

