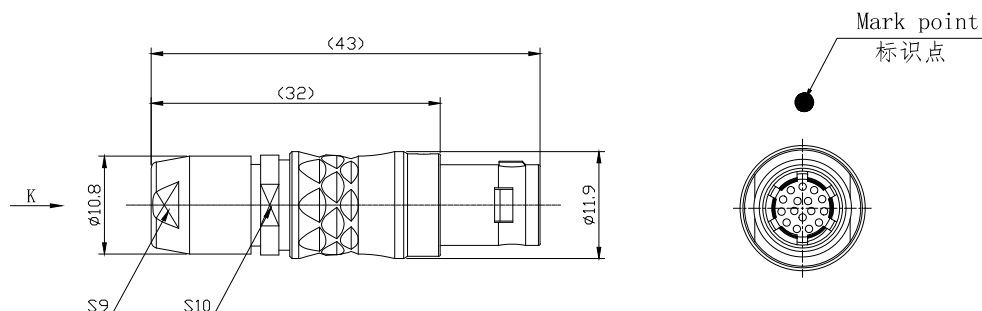


REV/版本	DESCRIPTION/变更内容	DATE/日期	DRAWN BY/绘图

1) Product main performance/产品主要性能指标:

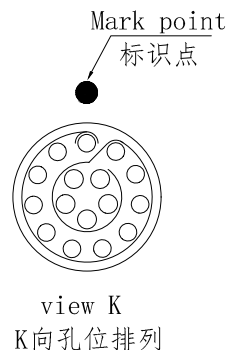
Operating Temperature/工作温度: $-55^{\circ}\text{C} \sim 200^{\circ}\text{C}$
Humidity(max)/最大潮湿: $<95\%$ [at $60^{\circ}\text{C} / 140^{\circ}\text{F}$]
Shielding /屏蔽性能: $75\text{dB}(10\text{MHz}) \quad 40\text{dB}(1\text{GHz})$
Salt Spray Corrosion/盐雾: 96hr
P op (max)/最大环境压力: 60 bar (870 psi)

Mechanical data/机械特性:
Vibration/振动: $15\text{g}[10\text{Hz} \sim 2000\text{Hz}]$
Shock Resistance/冲击: $100\text{g}[6\text{ms}]$
Endurance (Shell)/机械寿命: 5000次
Cable/配接电缆: $\phi 2.1\text{mm} - \phi 3.0\text{mm}$



2. 电气性能


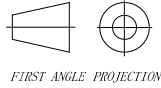
Insert Configuration/针芯配置: 1B.316 16Low Voltage
Pin Size/接触件直径: $\phi 0.5\text{mm}$
Contact resistance/接触电阻: $\leq 15\text{m}\Omega$
Insulation resistance/绝缘电阻: $5000\text{M}\Omega$ (测试电压 $500\text{V}(\text{DC})$)
Withstand voltage/耐电压: $750\text{V}(\text{AC})$
Rated working current/额定工作电流: 1.5A



Other Specification/其它规格:

Contact PIN/接触体: Gold plated Tin bronze/锡青铜镀金
Housing Material/外壳材质: Chrome plated brass/铜镀珍珠铬
Other metal spare parts/其余金属件: Nickel plated brass/铜镀镍
Insulator material/绝缘材料: PPS
IP Rating/防护等级: IP50

*ALL MATERIALS ARE RoHS COMPLIANT/所有材料均符合RoHS要求.

DRAWN BY: 绘图: PD03 2024. 05. 28 CHECKED BY: 审核: Z01 2024. 05. 28 APPROVED BY: 核准: PD05 2024. 05. 28		 美易连电子科技(深圳)有限公司 Meiyilian electronic technology(shenzhen)Co.,Ltd.		
GENERAL TOLERANCE (UNLESS SPECIFIED) $\leq 10 \pm 0.1$ $< 10 \sim \leq 20 \pm 0.15$ $< 20 \sim \leq 50 \pm 0.3$ Angle $\pm 1^{\circ}$		 FIRST ANGLE PROJECTION	单位 UNTT: mm 名称 PART NAME 比例 SCALE: 1: 1 型号 PART NAME SIZE: A4 SHEET: 1 OF 1	1B-TG直式插头(不带护套式尾帽) 1B-TG Straight plug (without jacketed tail cap) TGG. 1B. 316. CLAD32
REV/版本	A1	https://www.mylconnector.com/	https://www.mylconnector.com/	