

1) Product main performance/产品主要性能指标:

Operating Temperature/工作温度 : -55°C~200°C  
 Humidity(max)/最大潮湿 : ≤95% [at 60 deg C / 140 F]  
 Shielding /屏蔽性能 : 75dB(10MHz) 40dB(1GHz)  
 Salt Spray Corrosion/盐雾 : 96hr  
 P op (max)/最大环境压力 : 60 bar (870 psi)

Mechanical data/机械特性:

Vibration/振动 : 15g[10Hz~2000Hz]  
 Shock Resistance/冲击 : 100g[6ms]  
 Endurance (Shell)/机械寿命 : 5000次  
 Cable/配接电缆: Ø6.1mm-Ø7.0mm

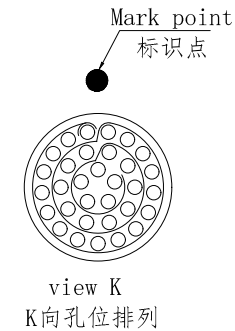
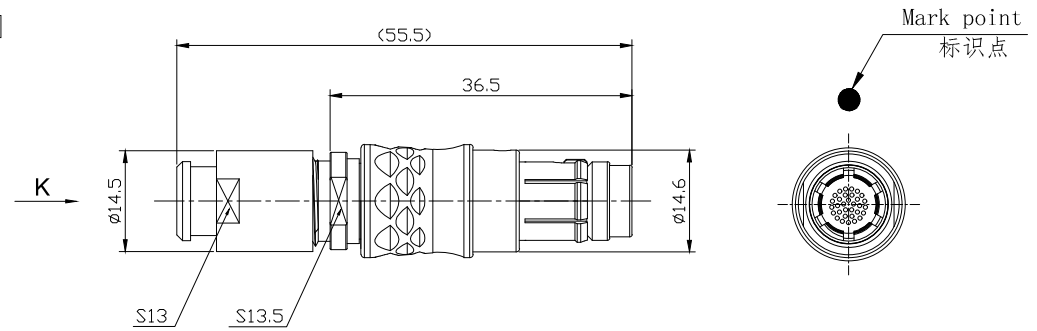
2. 电气性能

Insert Configuration/针芯配置: 2T. 332 32Low Voltage  
 Pin Size/接触件直径: Ø0.5mm  
 Contact resistance接触电阻: ≤15mΩ  
 Insulation resistance/绝缘电阻: 5000MΩ (测试电压500V(DC))  
 Withstand voltage/耐电压: 750V(AC)  
 Rated working current额定工作电流: 1.5A

Other Specification/其它规格:

Contact PIN/接触体: Gold plated Tin bronze/锡青铜镀金  
 Housing Material/外壳材质: Chrome plated brass/铜镀珍珠铬  
 Other metal spare parts/其余金属件: Nickel plated brass/铜镀镍  
 Insulator material/绝缘材料: PPS  
 IP Rating/防护等级: IP68(插入状态)

\*ALL MATERIALS ARE RoHS COMPLIANT/所有材料均符合RoHS要求.



view K  
K向孔位排列

DRAWN BY:  
绘图: Z01 2024. 6. 20  
CHECKED BY:  
审核: Z01 2024. 6. 20  
APPROVED BY:  
核准: PD05 2024. 6. 20

 美易连电子科技(深圳)有限公司 Meiyilian electronic technology (shenzhen) Co. Ltd.		单位 UNIT: mm	名称	2T-TG直式插头
		比例 SCALE: 1: 1	PART NAME	2T-TG Straight plug
GENERAL TOLERANCE (UNLESS SPECIFIED) ≤10 ±0.1 <10~≤20 ±0.15 <20~≤50 ±0.3 Angle ±1°		尺寸 SIZE: A4	型号	TGG. 2T. 332. CLAC72Z
		REV/版本	A1	SHEET: 1 OF 1

FIRST ANGLE PROJECTION

REV/版本	A1	SHEET: 1 OF 1	PART NAME
--------	----	---------------	-----------