

REV/版本	DESCRIPTION/变更内容	DATE/日期	DRAWN BY/绘图

1) Product main performance/产品主要性能指标:

Operating Temperature/工作温度 : -55°C ~ 200°C  
 Humidity(max)/最大潮湿 : <=95% [at 60 deg C / 140 F]  
 Shielding /屏蔽性能 : 75dB(10MHz) 40dB(1GHz)  
 Salt Spray Corrosion/盐雾 : 96hr  
 P op (max)/最大环境压力 : 60 bar (870 psi)

Mechanical data/机械特性:

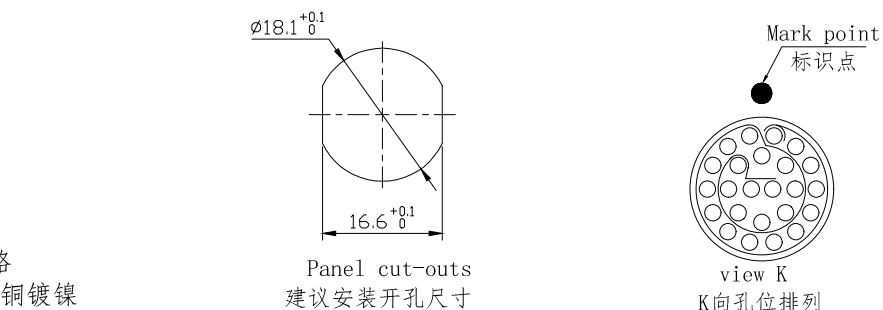
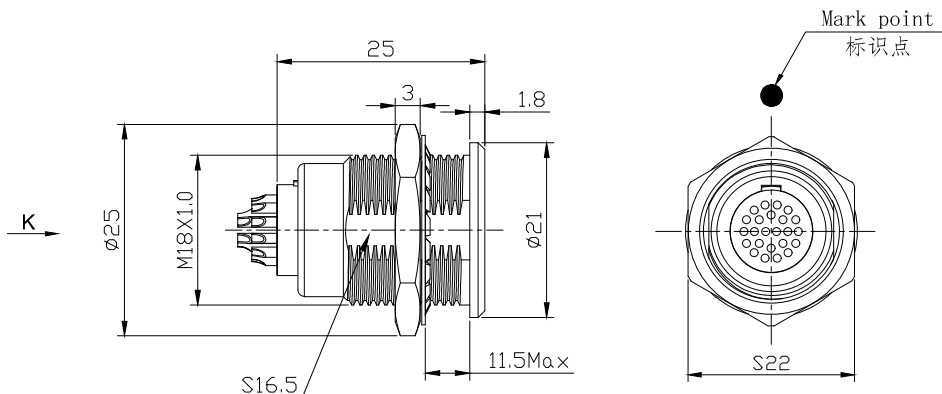
Vibration/振动 : 15g[10Hz~2000Hz]  
 Shock Resistance/冲击 : 100g[6ms]  
 Endurance (Shell)/机械寿命 : 5000+


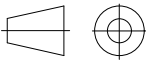
2. 电气性能

Insert Configuration/针芯配置: 3B. 324 24Low Voltage  
 Pin Size/接触件直径:  $\phi 0.7$ mm  
 Contact resistance接触电阻:  $\leq 12.5$  m $\Omega$   
 Insulation resistance/绝缘电阻: 5000M $\Omega$  (测试电压500V(DC))  
 Withstand voltage/耐电压: 750V(AC)  
 Rated working current额定工作电流: 4.0A

Other Specification/其它规格:

Contact PIN/接触体: Gold plated Tin bronze/锡青铜镀金  
 Housing Material/外壳材质: Chrome plated brass/铜镀珍珠铬  
 Other metal spare parts/其余金属件: Nickel plated brass/铜镀镍  
 Insulator material/绝缘材料: PPS  
 IP Rating/防护等级: IP50  
 \*ALL MATERIALS ARE RoHS COMPLIANT/所有材料均符合RoHS要求.



DRAWN BY: 绘图: PD03 2024. 05. 28		 美易连电子科技(深圳)有限公司 Meiyilian electronic technology(shenzhen) Co., Ltd.		
CHECKED BY: 审核: Z01 2024. 05. 28				
APPROVED BY: 核准: PD05 2024. 05. 28				
GENERAL TOLERANCE (UNLESS SPECIFIED) $\leq 10 \pm 0.1$ $< 10 \sim \leq 20 \pm 0.15$ $< 20 \sim \leq 50 \pm 0.3$ Angle $\pm 1^\circ$		 FIRST ANGLE PROJECTION	单位 UNIT: mm 比例 SCALE: 1: 1 型号 SHEET: 1 OF 1	名称 PART NAME 3B-ZG固定式插座 3B-ZG Fixed socket
REV/版本	A1	REV/版本	A1	

1

2

<https://www.myconnector.com/>

4

5

<https://www.myconnector.com/>

7

8