

1) Product main performance/产品主要性能指标:

Operating Temperature/工作温度 : -55°C~200°C  
 Humidity(max)/最大潮湿 : <=95% [at 60 deg C / 140 F]  
 Shielding /屏蔽性能 : 75dB(10MHz) 40dB(1GHz)  
 Salt Spray Corrosion/盐雾 : 96hr  
 P op (max)/最大环境压力 : 60 bar (870 psi)

Mechanical data/机械特性:

Vibration/振动 : 15g[10Hz~2000Hz]  
 Shock Resistance/冲击 : 100g[6ms]  
 Endurance (Shell)/机械寿命 : 5000次  
 Cable/配接电缆:  $\phi$ 4.1mm- $\phi$ 5.0mm

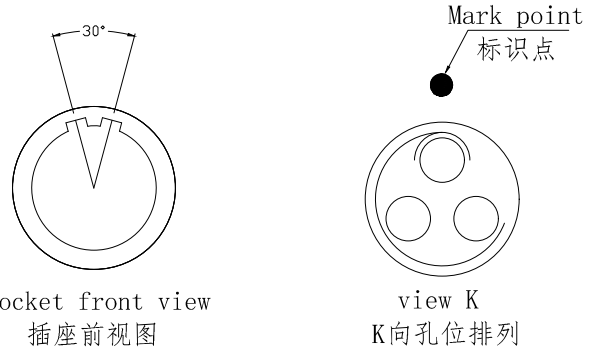
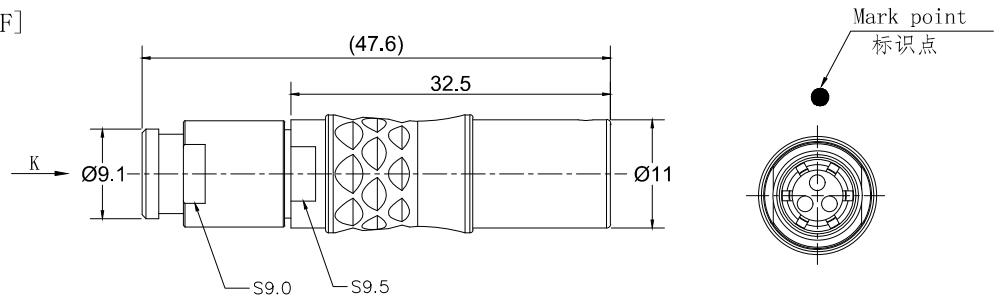
2. 电气性能


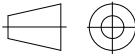
Insert Configuration/针芯配置: 1T. 303 3Low Voltage  
 Pin Size/接触件直径:  $\phi$ 1.3mm  
 Contact resistance接触电阻:  $\leq$ 5m $\Omega$   
 Insulation resistance/绝缘电阻: 5000M $\Omega$  (测试电压500V(DC))  
 Withstand voltage/耐电压: 1000V(AC)  
 Rated working current额定工作电流: 12.0A

Other Specification/其它规格:

Contact PIN/接触体: Gold plated Tin bronze/锡青铜镀金  
 Housing Material/外壳材质: Chrome plated brass/铜镀珍珠铬  
 Other metal spare parts/其余金属件: Nickel plated brass/铜镀镍  
 Insulator material/绝缘材料: PPS  
 IP Rating/防护等级: IP68(插入状态)

\*ALL MATERIALS ARE RoHS COMPLIANT/所有材料均符合RoHS要求.



|   |   |          |                   |                 |   |
|---|---|----------|-------------------|-----------------|---|
| DRAWN BY:<br>绘图: Z01      2024. 6. 20<br>CHECKED BY:<br>审核: Z01      2024. 6. 20<br>APPROVED BY:<br>核准: PDO5     2024. 6. 20                                |  美易连<br>美易连电子科技(深圳)有限公司<br>Meiyilian electronic technology (shenzhen) Co. Ltd. |          |                   |                 |   |
| GENERAL TOLERANCE<br>(UNLESS SPECIFIED)<br>$\leq$ 10 $\pm$ 0.1<br>$<$ 10 $\sim$ $\leq$ 20 $\pm$ 0.15<br>$<$ 20 $\sim$ $\leq$ 50 $\pm$ 0.3<br>Angle $\pm$ 1° | <br>FIRST ANGLE PROJECTION   |          | 单位<br>UNIT: mm    | 名称<br>PART NAME | 1T-DH浮动式插座(带护套式尾帽)<br>1T-DH Floating socket<br>(with jacketed tail cap) |
|   | REV/版本  | A1       | 比例<br>SCALE: 1: 1 | 型号<br>PART NAME | DHA. 1T. 303. CLAC52Z   |
|   |   | SIZE: A4 | SHEET: 1 OF 1     |                 |   |