

REV/版本	DESCRIPTION/变更内容	DATE/日期	DRAWN BY/绘图

1) Product main performance/产品主要性能指标:

Operating Temperature/工作温度 : -55°C~200°C  
Humidity(max)/最大潮湿 : <=95% [at 60 deg C / 140 F]  
Shielding /屏蔽性能 : 75dB(10MHz) 40dB(1GHz)  
Salt Spray Corrosion/盐雾 : 96hr  
P op (max)/最大环境压力 : 60 bar (870 psi)

Mechanical data/机械特性:  
Vibration/振动 : 15g[10Hz~2000Hz]  
Shock Resistance/冲击 : 100g[6ms]  
Endurance (Shell)/机械寿命 : 5000次  
Cable/配接电缆:  $\phi 1.4\text{mm}-\phi 2.3\text{mm}$

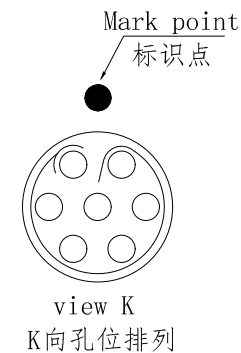
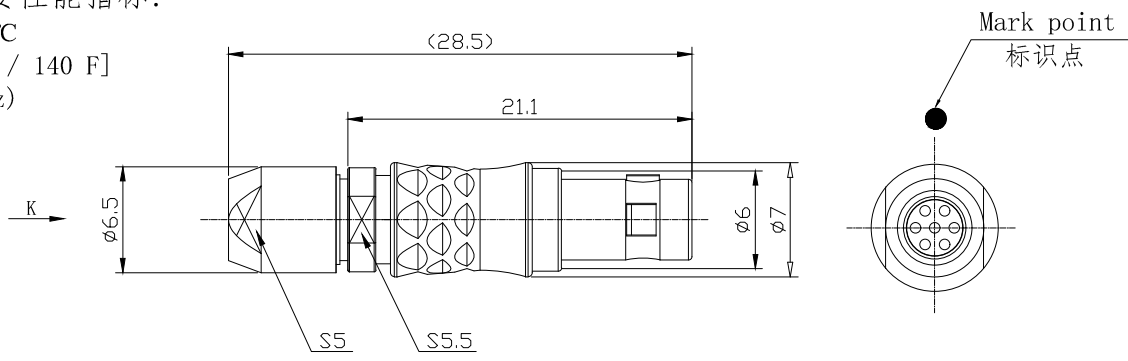
2. 电气性能

Insert Configuration/针芯配置: 00B.307 7Low Voltage  
Pin Size/接触件直径:  $\phi 0.3\text{mm}$   
Contact resistance接触电阻:  $\leq 25\text{m}\Omega$   
Insulation resistance/绝缘电阻:  $5000\text{M}\Omega$  (测试电压500V(DC))  
Withstand voltage/耐电压: 300V(AC)  
Rated working current额定工作电流: 0.5A

Other Specification/其它规格:

Contact PIN/接触体: Gold plated Tin bronze/锡青铜镀金  
Housing Material/外壳材质: Chrome plated brass/铜镀珍珠铬  
Other metal spare parts/其余金属件: Nickel plated brass/铜镀镍  
Insulator material/绝缘材料: PPS  
IP Rating/防护等级: IP50

\*ALL MATERIALS ARE RoHS COMPLIANT/所有材料均符合RoHS要求.

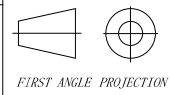


DRAWN BY:  
绘图: P003 2024.05.28  
CHECKED BY:  
审核: Z01 2024.05.28  
APPROVED BY:  
核准: P003 2024.05.28



美易连电子科技(深圳)有限公司  
Meiyilian electronic technology(shenzhen)Co.,Ltd.

GENERAL TOLERANCE  
(UNLESS SPECIFIED)  
 $\leq 10 \pm 0.1$   
 $< 10 \sim \leq 20 \pm 0.15$   
 $< 20 \sim \leq 50 \pm 0.3$   
AngTe  $\pm 1^\circ$



单位  
UNIT: mm  
比例  
SCALE: 1: 1  
SIZE: A4  
REV/版本 A1  
SHEET: 1 OF 1

名称  
PART NAME  
00B-TG直式插头(不带护套式尾帽)  
00B-TG Straight plug  
(without jacketed tail cap)  
型号  
PART NAME  
TGG. 00B. 307. CLAD25