

1) Product main performance/产品主要性能指标:

Operating Temperature/工作温度: -55°C~200°C

Humidity(max)/最大潮湿: ≤95% [at 60 deg C / 140 F]

Shielding /屏蔽性能: 75dB(10MHz) 40dB(1GHz)

Salt Spray Corrosion/盐雾: 96hr

P op (max)/最大环境压力: 60 bar (870 psi)

Mechanical data/机械特性:

Vibration/振动: 15g[10Hz~2000Hz]

Shock Resistance/冲击: 100g[6ms]

Endurance (Shell)/机械寿命: 5000次

Cable/配接电缆: Ø3.1mm-Ø4.0mm

2. 电气性能

Insert Configuration/针芯配置: 2T.332 32Low Voltage

Pin Size/接触件直径: Ø0.5mm

Contact resistance接触电阻: ≤15mΩ

Insulation resistance/绝缘电阻: 5000MΩ (测试电压500V(DC))

Withstand voltage/耐电压: 750V(AC)

Rated working current额定工作电流: 1.5A

Other Specification/其它规格:

Contact PIN/接触体: Gold plated Tin bronze/锡青铜镀金

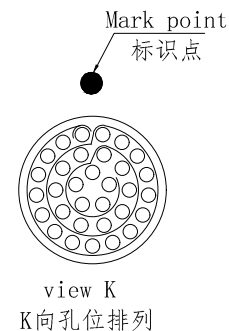
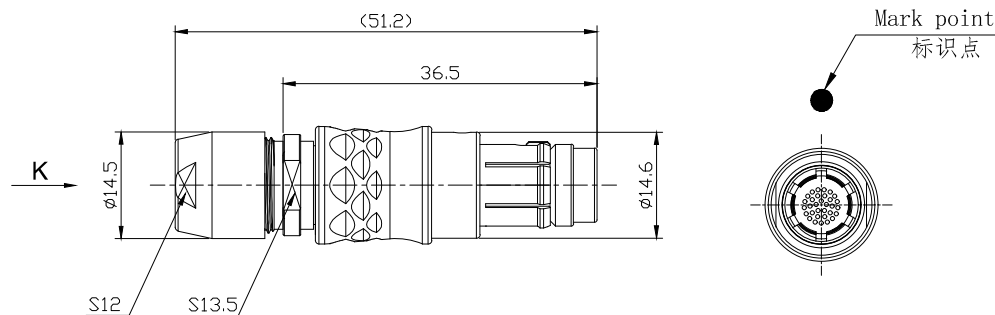
Housing Material/外壳材质: Chrome plated brass/铜镀珍珠铬


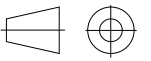
Other metal spare parts/其余金属件: Nickel plated brass/铜镀镍

Insulator material/绝缘材料: PPS

IP Rating/防护等级: IP68(插入状态)

*ALL MATERIALS ARE RoHS COMPLIANT/所有材料均符合RoHS要求.



DRAWN BY: 绘图: Z01 2024. 6. 20		 美易连电子科技(深圳)有限公司 Meiyilian electronic technology(shenzhen)Co.Ltd.		
CHECKED BY: 审核: Z01 2024. 6. 20				
APPROVED BY: 核准: PD05 2024. 6. 20				
GENERAL TOLERANCE (UNLESS SPECIFIED) ≤10 ±0.1 <10° ≤20 ±0.15 <20° ≤50 ±0.3 Angle ±1°		 FIRST ANGLE PROJECTION	单位 UNT: mm 比例 SCALE: 1: 1 尺寸 SIZE: A4 版本 REV/版本 A1	名称 PART NAME 2T-TG直式插头 2T-TG Straight plug
		SHEET: 1 OF 1	型号 PART NAME TGG. 2T. 332. CLAC42	