

1) Product main performance/产品主要性能指标:

Operating Temperature/工作温度 : -55℃~200℃
 Humidity(max)/最大潮湿 : <=95% [at 60 deg C / 140 F]
 Shielding /屏蔽性能 : 75dB(10MHz) 40dB(1GHz)
 Salt Spray Corrosion/盐雾 : 96hr
 P op (max)/最大环境压力 : 60 bar (870 psi)

Mechanical data/机械特性:

Vibration/振动 : 15g[10Hz~2000Hz]
 Shock Resistance/冲击 : 100g[6ms]
 Endurance (Shell)/机械寿命 : 5000次
 Cable/配接电缆: Ø4.1mm-Ø5.0mm

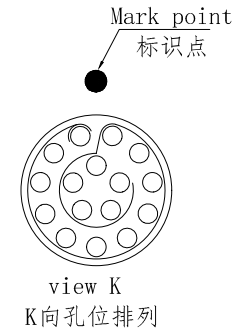
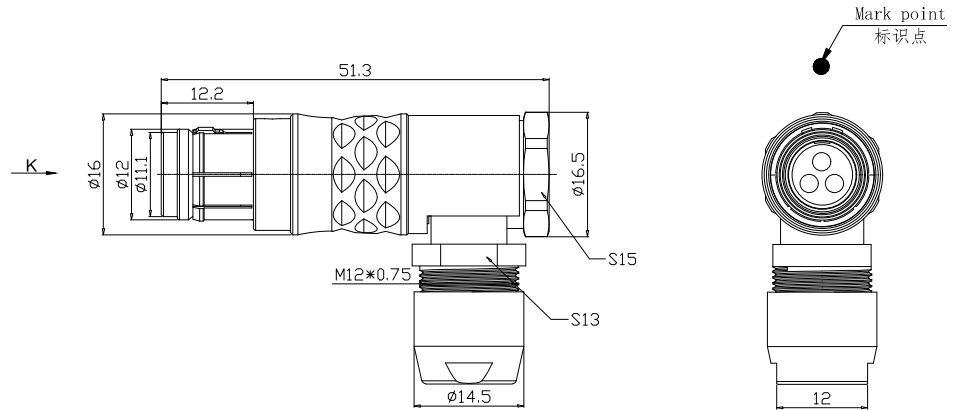
2. 电气性能


Insert Configuration/针芯配置: 2T. 316 16Low Voltage
 Pin Size/接触件直径: Ø0.7mm
 Contact resistance接触电阻: ≤12.5mΩ
 Insulation resistance/绝缘电阻: 5000MΩ (测试电压500V(DC))
 Withstand voltage/耐电压: 875V(AC)
 Rated working current额定工作电流: 6.0A

Other Specification/其它规格:

Contact PIN/接触体: Gold plated Tin bronze/锡青铜镀金
 Housing Material/外壳材质: Chrome plated brass/铜镀珍珠铬
 Other metal spare parts/其余金属件: Nickel plated brass/铜镀镍
 Insulator material/绝缘材料: PPS
 IP Rating/防护等级: IP68(插合状态)

*ALL MATERIALS ARE RoHS COMPLIANT/所有材料均符合RoHS要求.



DRAWN BY: 绘图: Z01 2024. 6. 20 CHECKED BY: 审核: Z01 2024. 6. 20 APPROVED BY: 核准: PD05 2024. 6. 20	 美易连电子科技(深圳)有限公司 Meiyilian electronic technology (shenzhen) Co. Ltd.		名称 PART NAME 2T-TH直式插头 2T-TH Straight plug	
			型号 PART NAME THG. 2T. 316. CLAC52	
GENERAL TOLERANCE (UNLESS SPECIFIED) ≤10 ±0.1 <10 ~ ≤20 ±0.15 <20 ~ ≤50 ±0.3 Angle ±1°		单位 UNIT: mm 比例 SCALE: 1: 1 SIZE: A4	SHEET: 1 OF 1	
FIRST ANGLE PROJECTION		REV/版本 A1		