

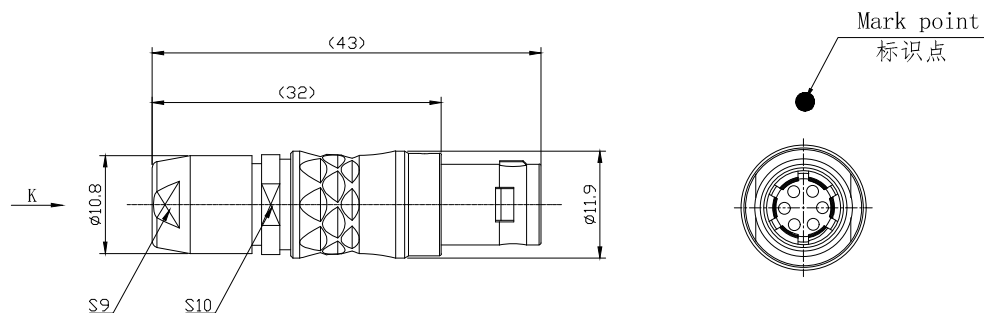
REV/版本	DESCRIPTION/变更内容	DATE/日期	DRAWN BY/绘图

### 1) Product main performance/产品主要性能指标:

Operating Temperature/工作温度 : -55℃~200℃  
 Humidity(max)/最大潮湿 : <=95% [at 60 deg C / 140 F]  
 Shielding /屏蔽性能 : 75dB(10MHz) 40dB(1GHz)  
 Salt Spray Corrosion/盐雾 : 96hr  
 P op (max)/最大环境压力 : 60 bar (870 psi)

#### Mechanical data/机械特性:

Vibration/振动 : 15g[10Hz~2000Hz]  
 Shock Resistance/冲击 : 100g[6ms]  
 Endurance (Shell)/机械寿命 : 5000次  
 Cable/配接电缆:  $\phi 4.1\text{mm}-\phi 5.0\text{mm}$

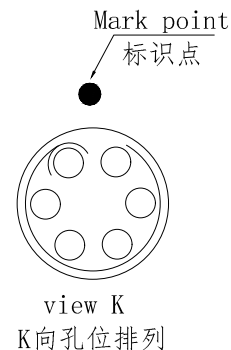



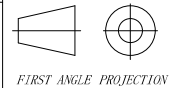
### 2. 电气性能

Insert Configuration/针芯配置: 1B. 306 6Low Voltage  
 Pin Size/接触件直径:  $\phi 0.7\text{mm}$   
 Contact resistance接触电阻:  $\leq 12.5\text{m}\Omega$   
 Insulation resistance/绝缘电阻:  $5000\text{M}\Omega$  (测试电压500V (DC))  
 Withstand voltage/耐电压: 875V (AC)  
 Rated working current额定工作电流: 7.0A

#### Other Specification/其它规格:

Contact PIN/接触体: Gold plated Tin bronze/锡青铜镀金  
 Housing Material/外壳材质: Chrome plated brass/铜镀珍珠铬  
 Other metal spare parts/其余金属件: Nickel plated brass/铜镀镍  
 Insulator material/绝缘材料: PPS  
 IP Rating/防护等级: IP50  
 \*ALL MATERIALS ARE RoHS COMPLIANT/所有材料均符合RoHS要求.



DRAWN BY: 绘图: PD03      2024. 05. 28 CHECKED BY: 审核: Z01        2024. 05. 28 APPROVED BY: 核准: PD05      2024. 05. 28	 <b>美易连电子科技（深圳）有限公司</b> Meiyilian electronic technology(shenzhen)Co.,Ltd.	单位 UNTT: mm	名称 PART NAME	1B-TG直式插头（不带护套式尾帽） 1B-TG Straight plug (without jacketed tail cap)
<b>GENERAL TOLERANCE            (UNLESS SPECIFIED)</b> $\leq 10 \pm 0.1$ $< 10 \sim \leq 20 \pm 0.15$ $< 20 \sim \leq 50 \pm 0.3$ Angle $\pm 1^\circ$		 FIRST ANGLE PROJECTION	比例 SCALE: 1: 1	型号 PART NAME
REV/版本      A1	SHEET: 1 OF 1	SIZE: A4	名称 PART NAME	型号 PART NAME