

1) Product main performance/产品主要性能指标:

Operating Temperature/工作温度: -55°C~200°C

Humidity(max)/最大潮湿: <=95% [at 60 deg C / 140 F]

Shielding /屏蔽性能: 75dB(10MHz) 40dB(1GHz)

Salt Spray Corrosion/盐雾: 96hr

P op (max)/最大环境压力: 60 bar (870 psi)

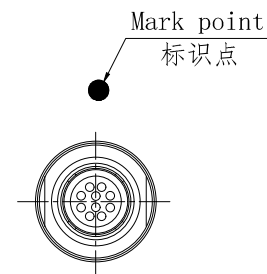
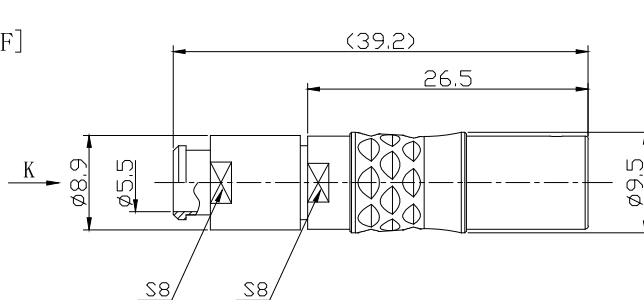
Mechanical data/机械特性:

Vibration/振动: 15g[10Hz~2000Hz]

Shock Resistance/冲击: 100g[6ms]

Endurance (Shell)/机械寿命: 5000次

Cable/配接电缆:  $\phi 2.1\text{mm}-\phi 3.0\text{mm}$



2. 电气性能

Insert Configuration/针芯配置: OT.310 10Low Voltage

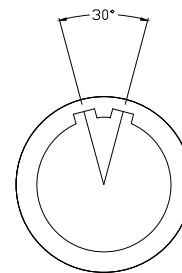
Pin Size/接触件直径:  $\phi 0.5\text{mm}$

Contact resistance接触电阻:  $\leq 15\text{m}\Omega$

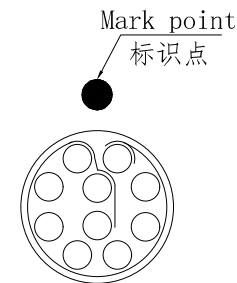
Insulation resistance/绝缘电阻:  $5000\text{M}\Omega$  (测试电压500V(DC))

Withstand voltage/耐电压: 750V(AC)

Rated working current额定工作电流: 2.0A



Socket front view  
插座前视图



view K  
K向孔位排列

Other Specification/其它规格:

Contact PIN/接触体: Gold plated Tin bronze/锡青铜镀金


Housing Material/外壳材质: Chrome plated brass/铜镀珍珠铬

Other metal spare parts/其余金属件: Nickel plated brass/铜镀镍

Insulator material/绝缘材料: PPS

IP Rating/防护等级: IP68(插合状态)

\*ALL MATERIALS ARE RoHS COMPLIANT/所有材料均符合RoHS要求.

DRAWN BY: 绘图: Z01 2024. 6. 20		 美易连 MEIYILIAN 美易连	美易连电子科技(深圳)有限公司 Meiyilian electronic technology (shenzhen) Co. Ltd.		
CHECKED BY: 审核: Z01 2024. 6. 20			单位 UNIT: mm	名称 PART NAME	OT-DH浮动式插座(带护套式尾帽) OT-DH Floating socket (with jacketed tail cap)
APPROVED BY: 核准: PD05 2024. 6. 20			比例 SCALE: 1: 1	型号 PART NAME	DHA. OT. 310. CLLC32Z
GENERAL TOLERANCE (UNLESS SPECIFIED) $\leq 10 \pm 0.1$ $< 10^\circ \leq 20 \pm 0.15$ $< 20^\circ \leq 50 \pm 0.3$ Angle $\pm 1^\circ$		FIRST ANGLE PROJECTION		REV/版本 A1	
		SIZE: A4		SHEET: 1 OF 1	